

Installation TopFix / RecessFix [R1]

Luxaflex
Model
1201

- ! Do not damage the product when using a sharp knife to open the packaging! Fitting screws: Use a size-2 screwdriver (PO-ZIDRIVE) or use an electric screwdriver at it's lowest torque.
- Rail removal: Use a flat screwdriver of max. 6 mm wide. Only

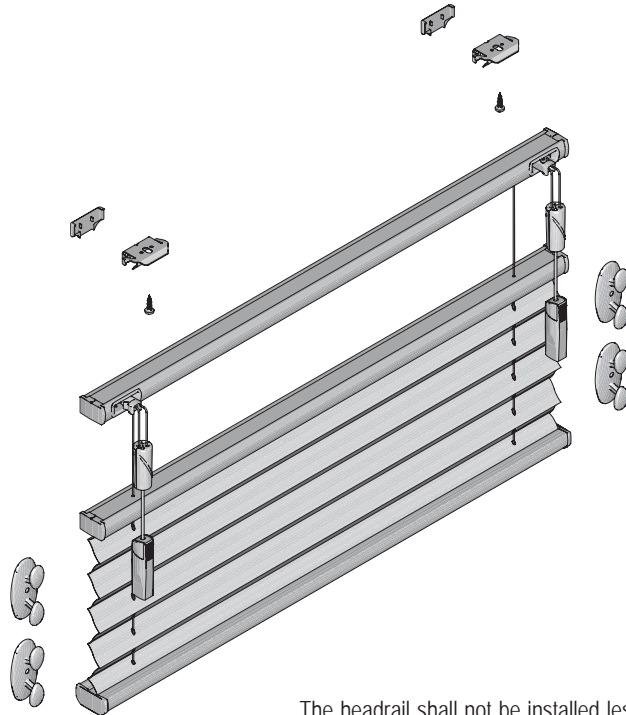
use the original screws enclosed, to prevent malfunctioning from using too thick screw heads!

WARNING

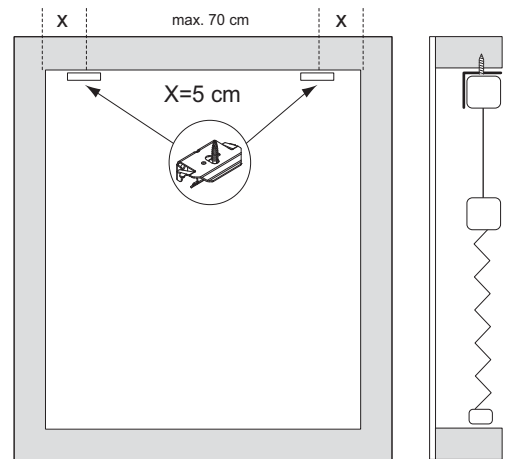
Young children can be strangled by loops in pull cords, chains, tapes and inner cords that operate the product. They can also wrap cords around their necks. To avoid strangulation and entanglement, keep cords out of

reach of young children. Move beds, cots and furniture away from window covering cords. Do not tie cords together. Make sure cords do not twist and create a loop. Install and use the included safety devices according to the installation instructions on these devices to reduce possibility of such an accident. According to EN 13120

Installation and User's manual PB - GB



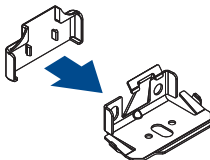
Product width	Number of parts			
0 - 80 cm	2	2	2	2
81 - 150 cm	3	3	3	2
151 - 220 cm	4	4	4	2
221 - 230 cm	5	5	5	2



The headrail shall not be installed less than 1,5 m from the floor, and the cord cleats shall be installed as close to the headrail as possible and in all cases, not less than 1,5 m from the floor.

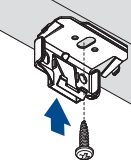
Cover installation

1



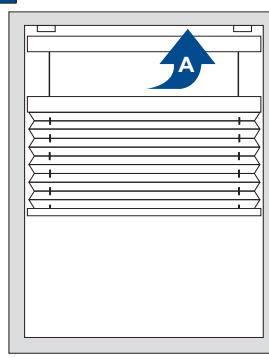
Clip installation

2



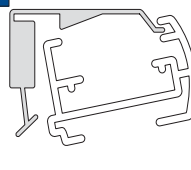
Installation

3

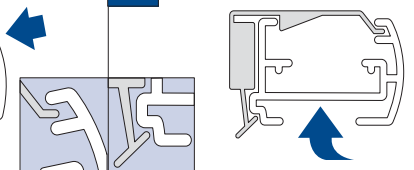


Rail installation sequence on Clips

3-A1

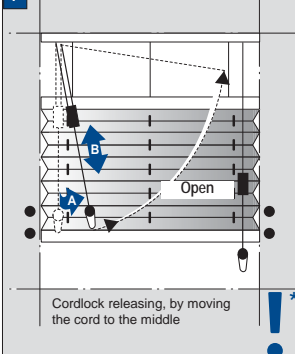


3-A2

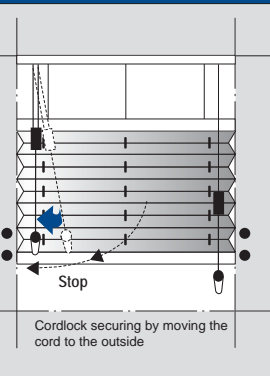


Operation: Release and move the blind

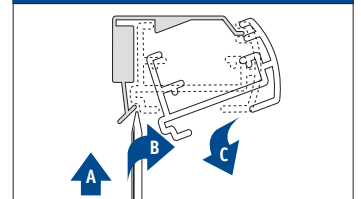
4



Stop and secure the blind



Removal



- ! * Do not raise bottomrail higher than the midrail to avoid a hazardous loop.

01-04-2014

FaceFix installation to a window frame / wall [F1]

Luxaflex

**Model
1201**

- ! Do not damage the product when using a sharp knife to open the packaging! Fitting screws: Use a size-2 screwdriver (PO-ZIDRIVE) or use an electric screwdriver at it's lowest torque.
- Rail removal: Use a flat screwdriver of max. 6 mm wide. Only

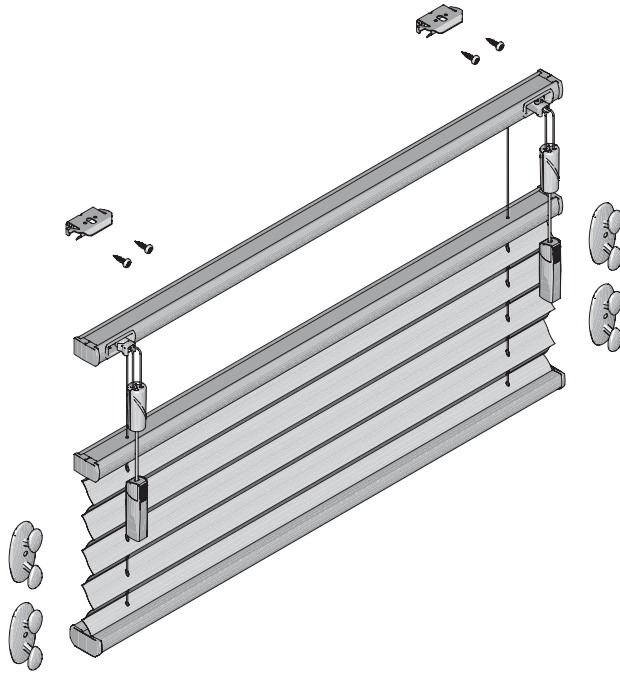
use the original screws enclosed, to prevent malfunctioning from using too thick screw heads!

WARNING

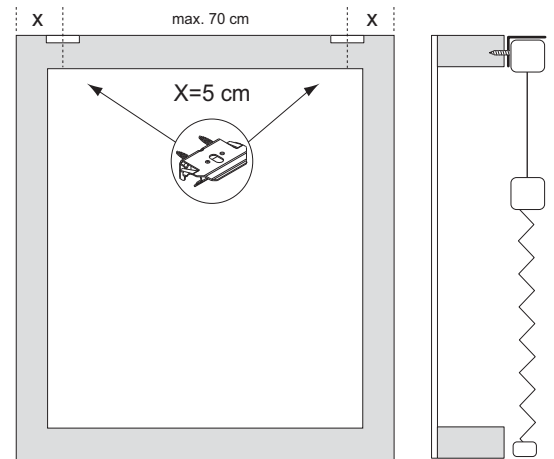
Young children can be strangled by loops in pull cords, chains, tapes and inner cords that operate the product. They can also wrap cords around their necks. To avoid strangulation and entanglement, keep cords out of

reach of young children. Move beds, cots and furniture away from window covering cords. Do not tie cords together. Make sure cords do not twist and create a loop. Install and use the included safety devices according to the installation instructions on these devices to reduce possibility of such an accident. According to EN 13120

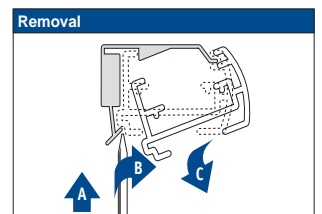
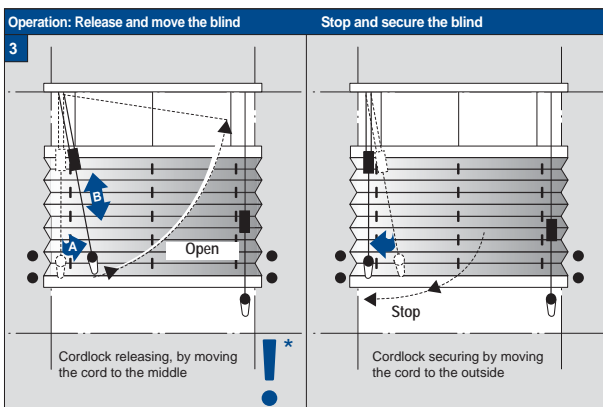
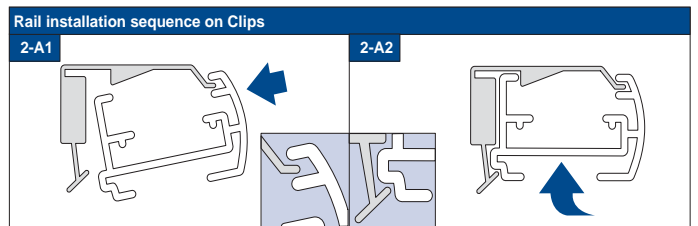
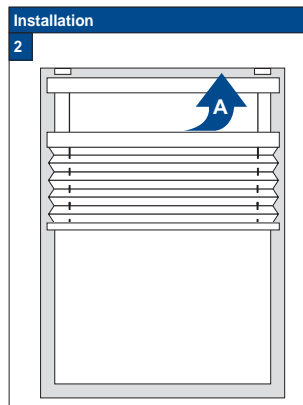
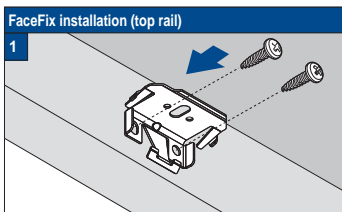
Installation and User's manual PB - GB



Product width	Number of parts		
0 - 80 cm	2	4	2
81 - 150 cm	3	6	2
151 - 220 cm	4	8	2
221 - 230 cm	5	10	2



The headrail shall not be installed less than 1,5 m from the floor, and the cord cleats shall be installed as close to the headrail as possible and in all cases, not less than 1,5 m from the floor.



- ! * Do not raise bottomrail higher than the midrail to avoid a hazardous loop.

01-04-2014