

Installation TopFix / RecessFix [R1]

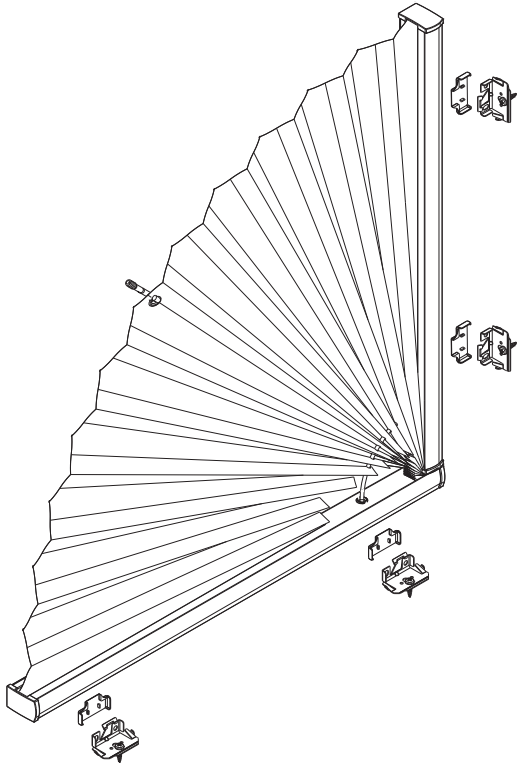


Model
3507/57
3517/67

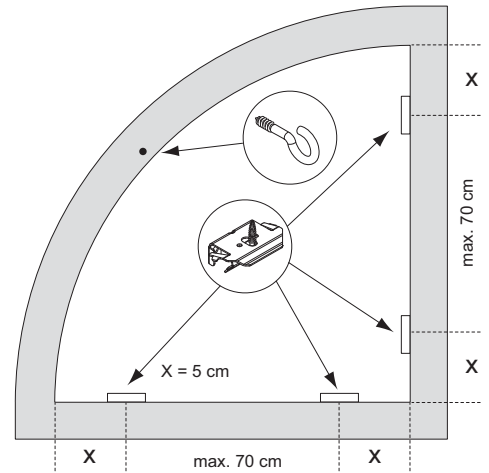
- ! Do not damage the product when using a sharp knife to open the packaging! Fitting screws: Use a size-2 screwdriver (PO-ZIDRIVE) or use an electric screwdriver at it's lowest torque.
- Rail removal: Use a flat screwdriver of max. 6 mm wide. Only

use the original screws enclosed, to prevent malfunctioning from using too thick screw heads!

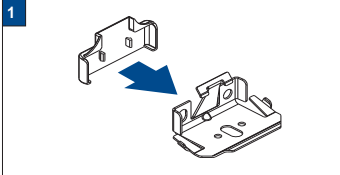
Installation and User's manual PB - GB



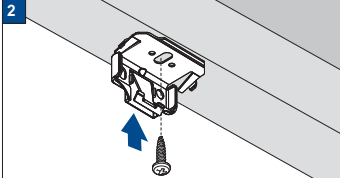
| Product width | Number of parts | | | |
|---------------|-----------------|---|-----|---|
| | | | | |
| 0 - 80 cm | 4 | 4 | var | 4 |
| 81 - 120 cm | 6 | 6 | var | 6 |



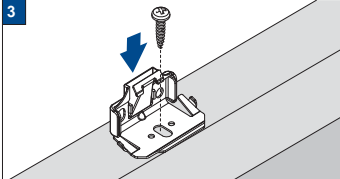
Cover installation



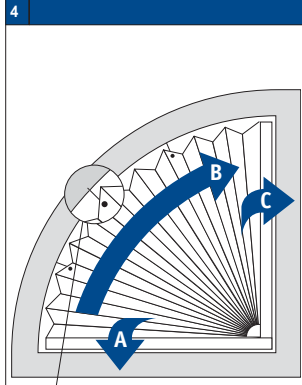
Clip installation (toprail)



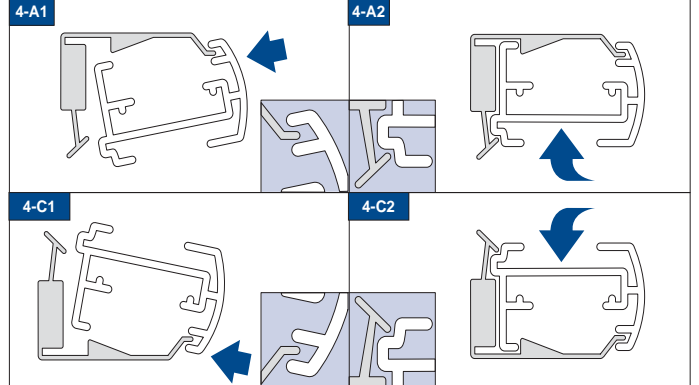
Clip installation (bottom rail)



Rail installation sequence on Clips



Rail installation sequence on Clips

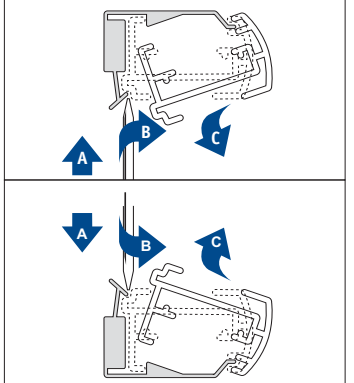


Positioning the fastening hook(s)

5

- ! - Click the pleated blind into place with the lower rail and unfold it all the way - Mark the hole positions on the frame, in line with the eyes in the fabric - Remove the pleated blind, ● drill the holes, install the screw hooks - Install the rails and the blind as shown in figure.

Removal



21-03-2014

FaceFix installation to a window frame / wall [F1]



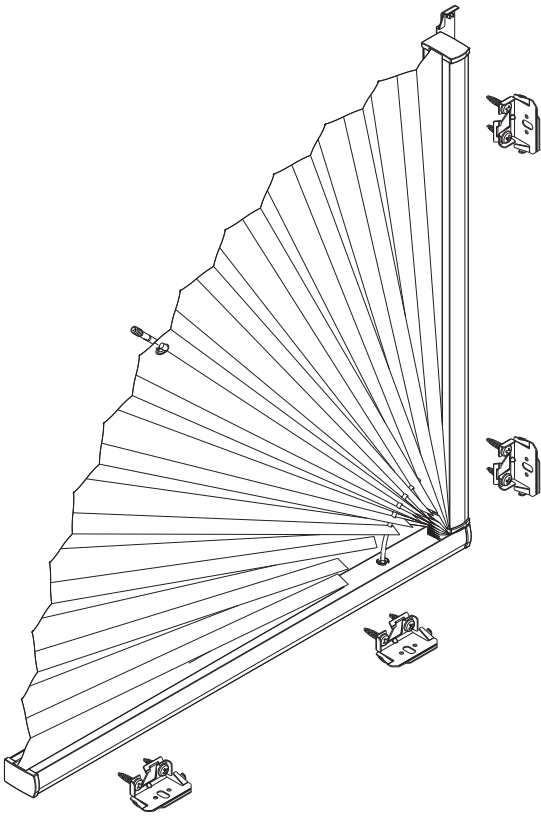
Model

3507/57

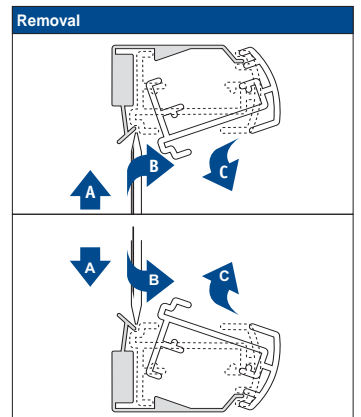
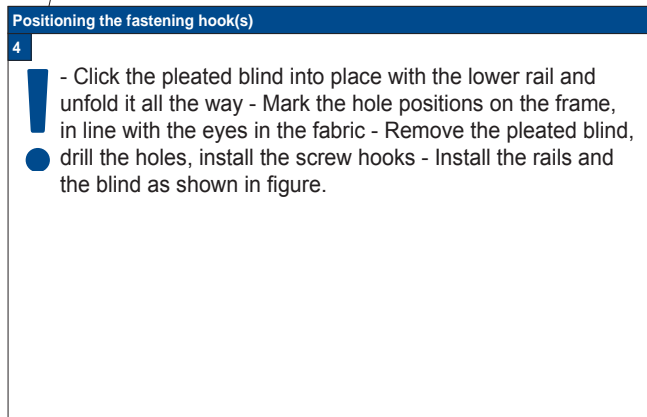
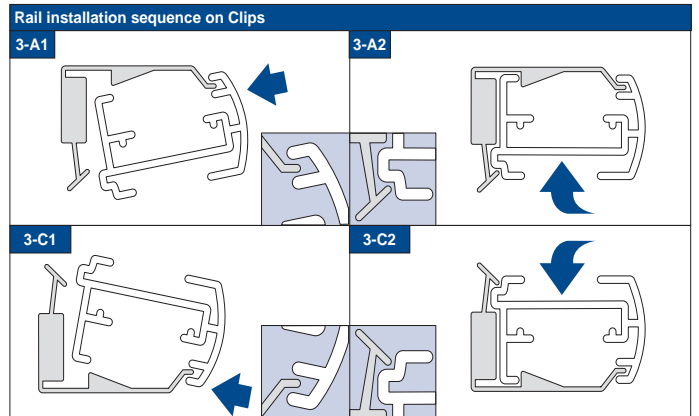
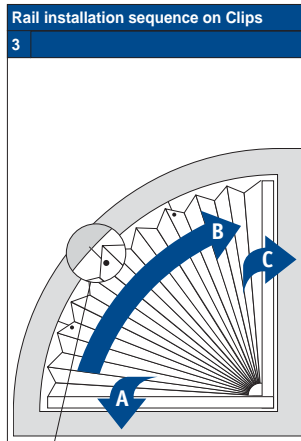
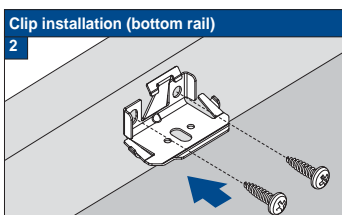
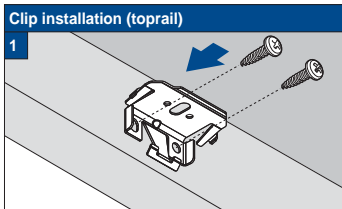
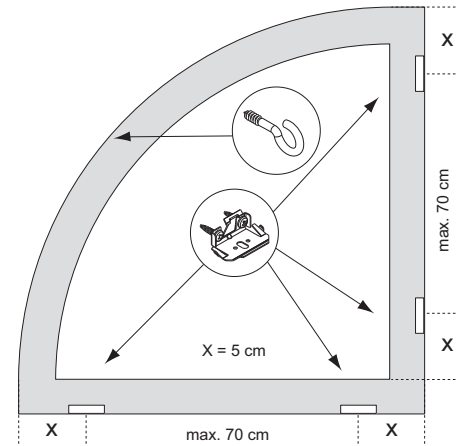
3517/67

- ! Do not damage the product when using a sharp knife to open the packaging! Fitting screws: Use a size-2 screwdriver (PO-ZIDRIVE) or use an electric screwdriver at it's lowest torque.
- Rail removal: Use a flat screwdriver of max. 6 mm wide. Only

use the original screws enclosed, to prevent malfunctioning from using too thick screw heads!



| Product width | Number of parts | | |
|---------------|-----------------|-----|----|
| | | | |
| 0 - 80 cm | 4 | var | 8 |
| 81 - 120 cm | 6 | var | 12 |



FaceFix installation to a window frame / wall [F1]

Luxaflex

Model

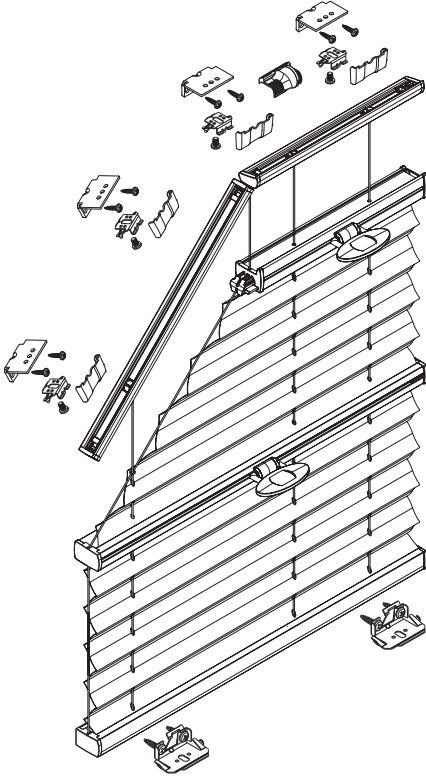
3802

3852

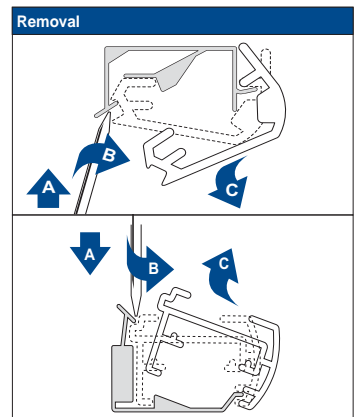
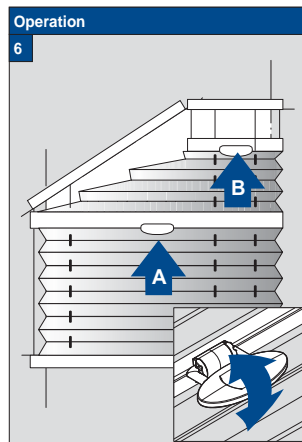
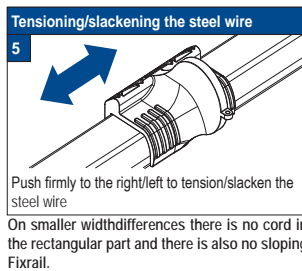
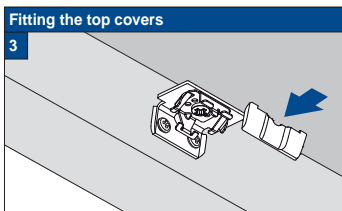
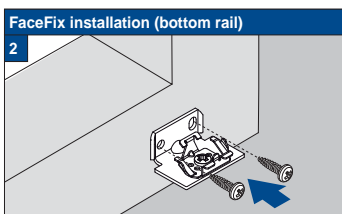
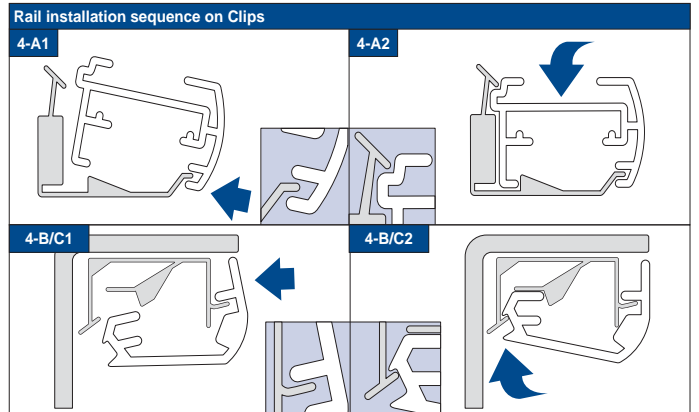
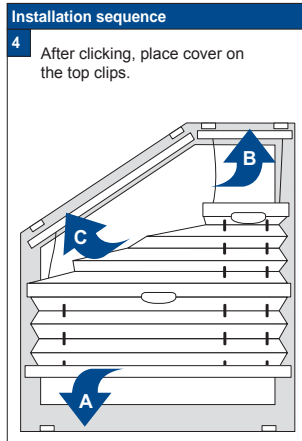
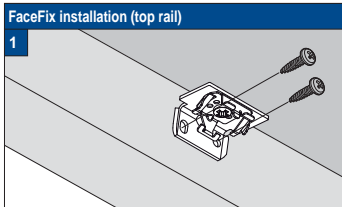
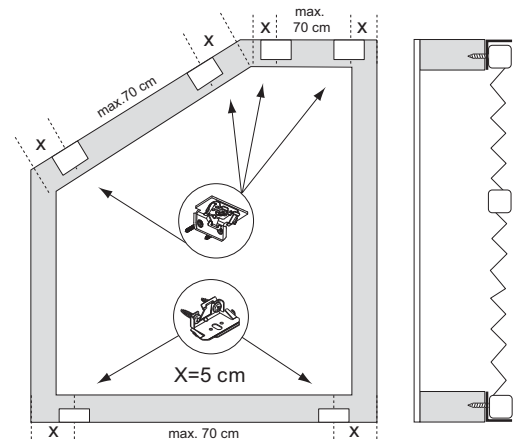
- ! Do not damage the product when using a sharp knife to open the packaging! Fitting screws: Use a size-2 screwdriver (PO-ZIDRIVE) or use an electric screwdriver at it's lowest torque.
- Rail removal: Use a flat screwdriver of max. 6 mm wide. Only

use the original screws enclosed, to prevent malfunctioning from using too thick screw heads!

Installation and User's manual PB - GB



| Product width | Number of parts | | | | | | | |
|---------------|-----------------|-----|-----|-----|---|---|-----|-----|
| | | | | | | | | |
| 0 - 80 cm | var | var | var | var | 2 | 1 | var | var |
| 81 - 150 cm | var | var | var | var | 3 | 1 | var | var |



21-03-2014

Installation TopFix / RecessFix [R1]

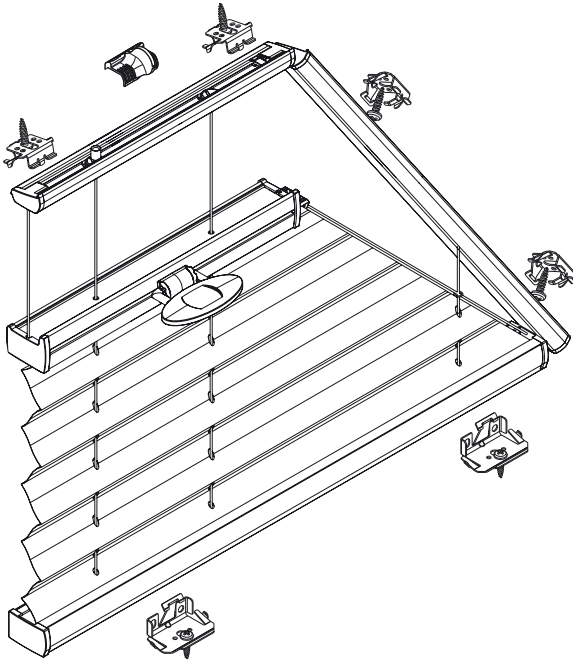


Model
2602/52
2612/62

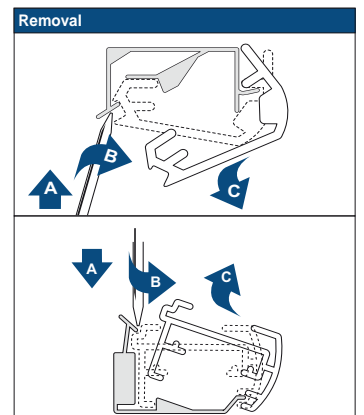
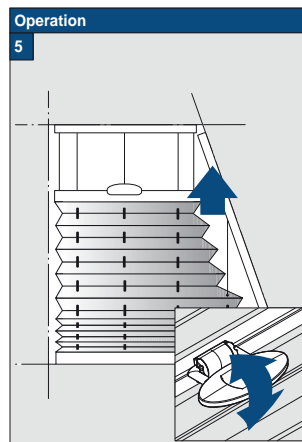
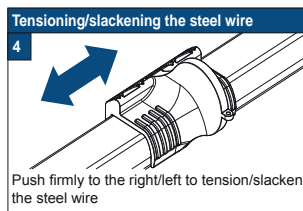
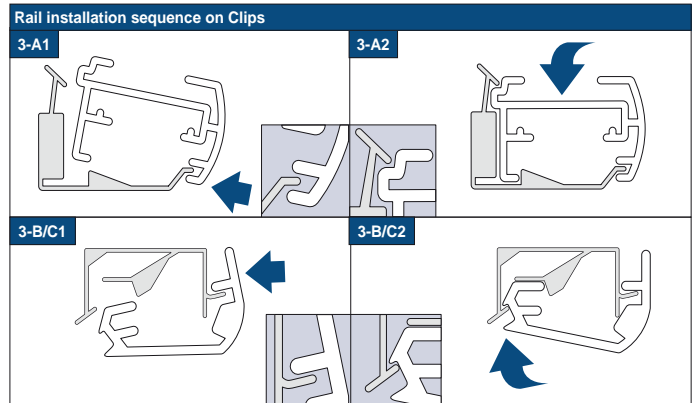
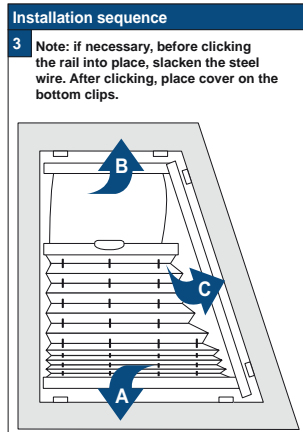
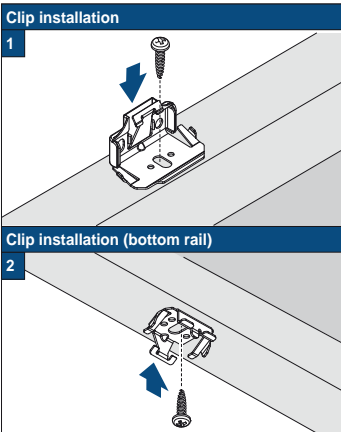
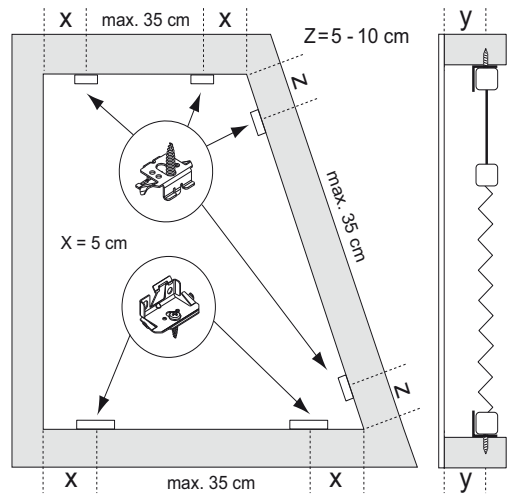
Do not damage the product when using a sharp knife to open the packaging! Fitting screws: Use a size-2 screwdriver (PO-ZIDRIVE) or use an electric screwdriver at it's lowest torque.
● Rail removal: Use a flat screwdriver of max. 6 mm wide. Only

use the original screws enclosed, to prevent malfunctioning from using too thick screw heads!

Installation and User's manual PB - GB



| Product width | Number of parts | | | |
|---------------|-----------------|-----|---|-----|
| 0 - 80 cm | 3 | var | 1 | var |
| 81 - 115 cm | 4 | var | 1 | var |
| 116 - 150 cm | 5 | var | 1 | var |



21-03-2014

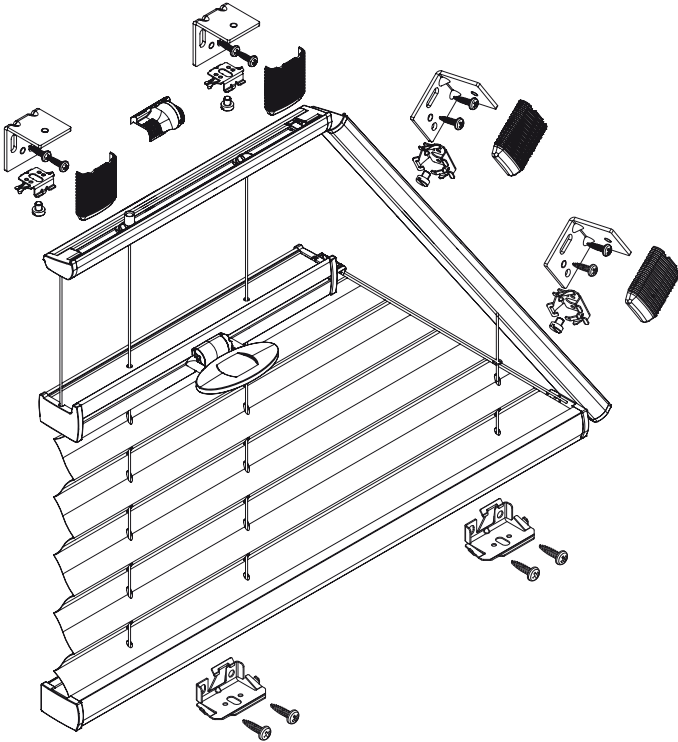
FaceFix installation to a window frame / wall [F1]



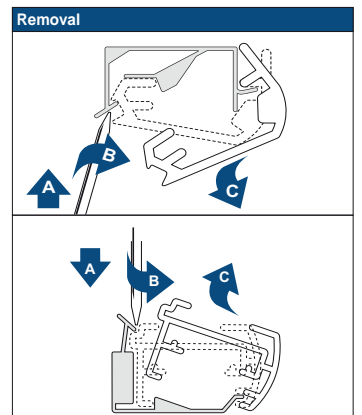
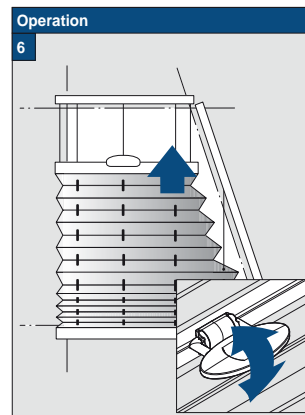
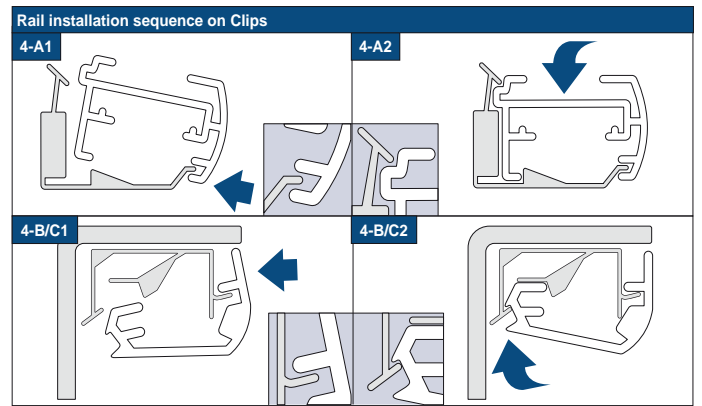
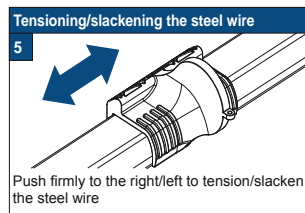
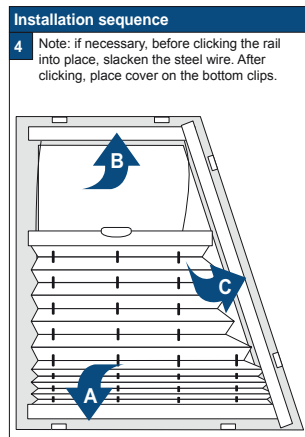
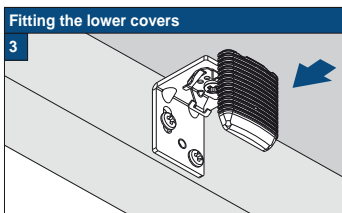
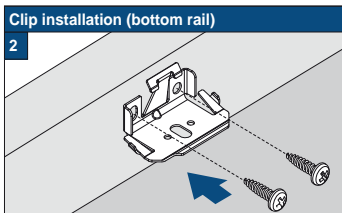
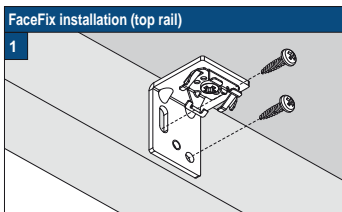
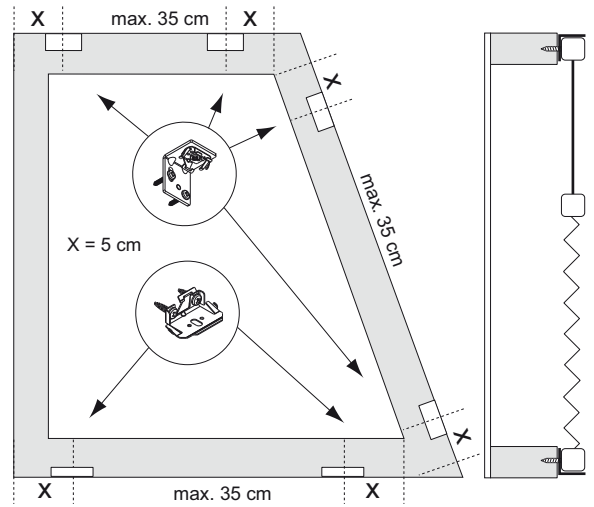
Model
2602/52
2612/62

- ! Do not damage the product when using a sharp knife to open the packaging! Fitting screws: Use a size-2 screwdriver (PO-ZIDRIVE) or use an electric screwdriver at it's lowest torque.
- Rail removal: Use a flat screwdriver of max. 6 mm wide. Only use the original screws enclosed, to prevent malfunctioning from using too thick screw heads!

Installation and User's manual PB - GB



| Product width | Number of parts | | | | | | |
|---------------|-----------------|-----|-----|-----|---|-----|-----|
| | | | | | | | |
| 0 - 80 cm | 3 | var | var | var | 1 | var | var |
| 81 - 115 cm | 4 | var | var | var | 1 | var | var |
| 116 - 150 cm | 5 | var | var | var | 1 | var | var |



21-03-2014

Installation TopFix / RecessFix [R1]

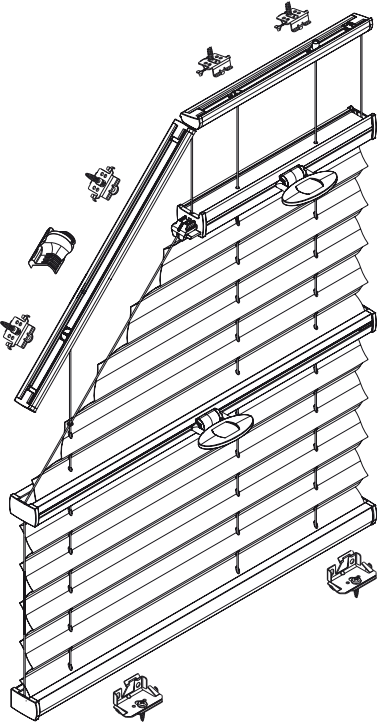


Model
2802/52
2812/62

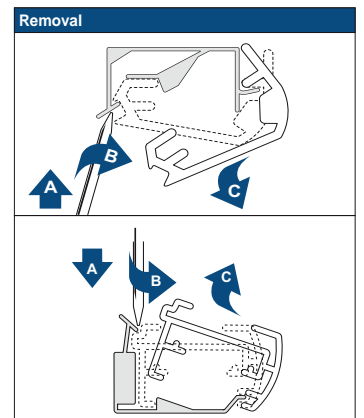
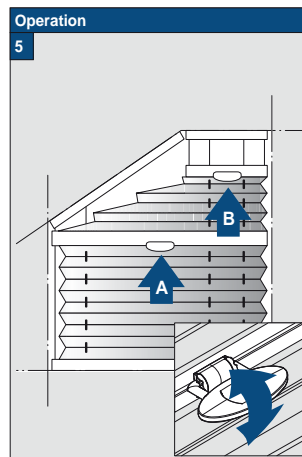
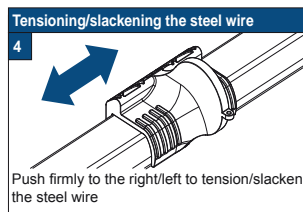
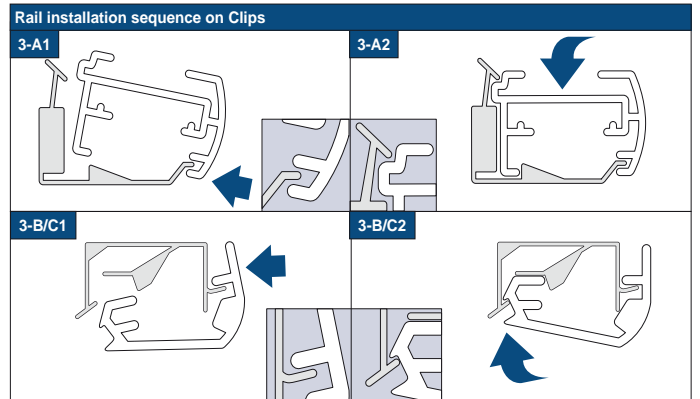
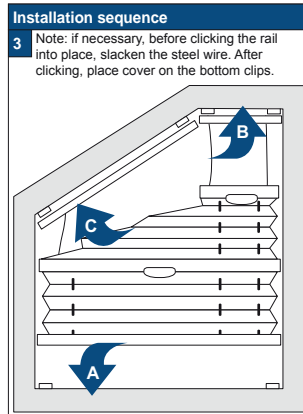
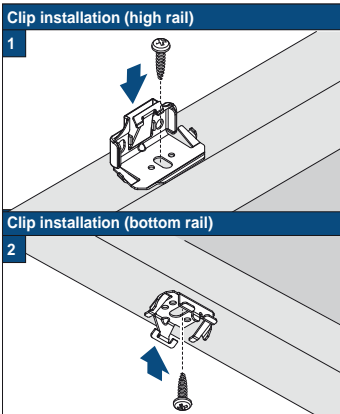
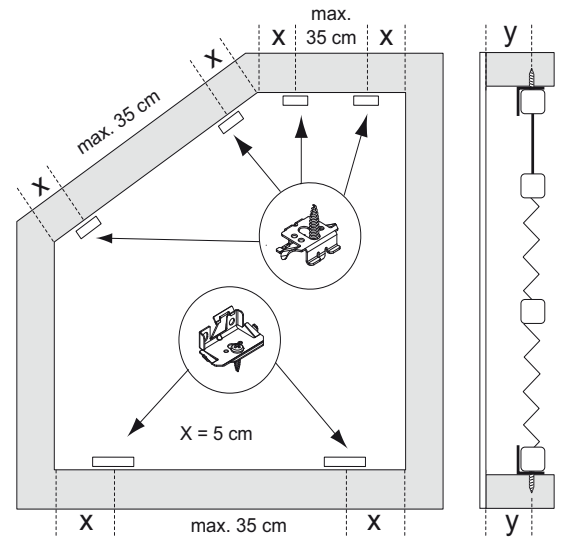
Do not damage the product when using a sharp knife to open the packaging! Fitting screws: Use a size-2 screwdriver (PO-ZIDRIVE) or use an electric screwdriver at it's lowest torque.
Rail removal: Use a flat screwdriver of max. 6 mm wide. Only

use the original screws enclosed, to prevent malfunctioning from using too thick screw heads!

Installation and User's manual PB - GB



| Product width | Number of parts | | | |
|---------------|-----------------|-----|---|-----|
| | | | | |
| 0 - 80 cm | 3 | var | 1 | var |
| 81 - 115 cm | 4 | var | 1 | var |
| 116 - 150 cm | 5 | var | 1 | var |



21-03-2014

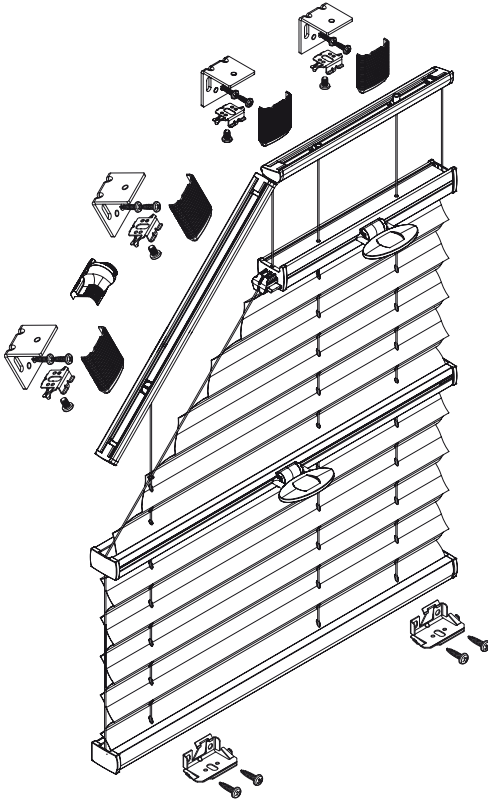
FaceFix installation to a window frame / wall [F1]



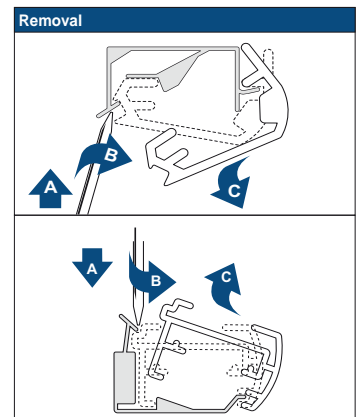
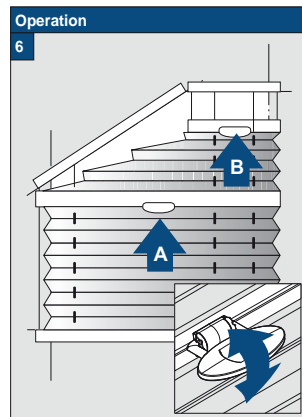
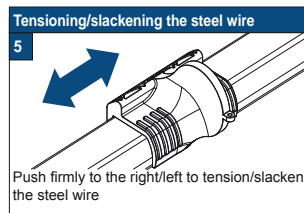
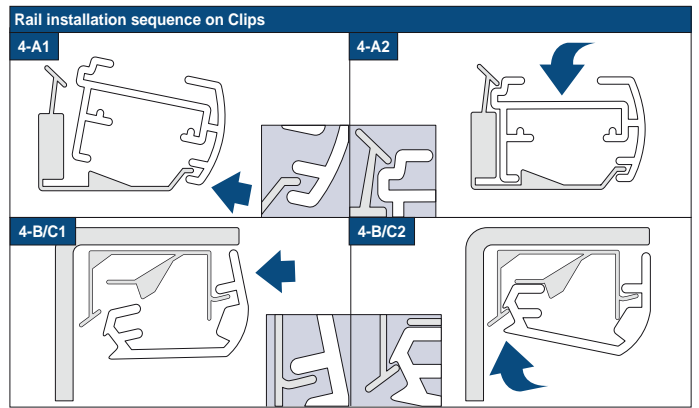
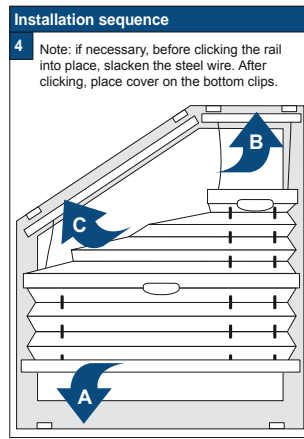
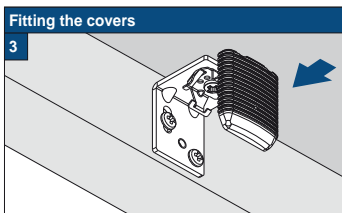
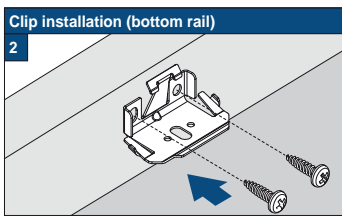
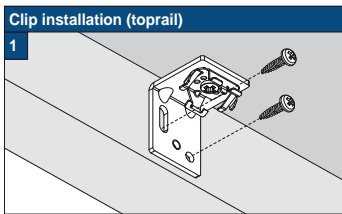
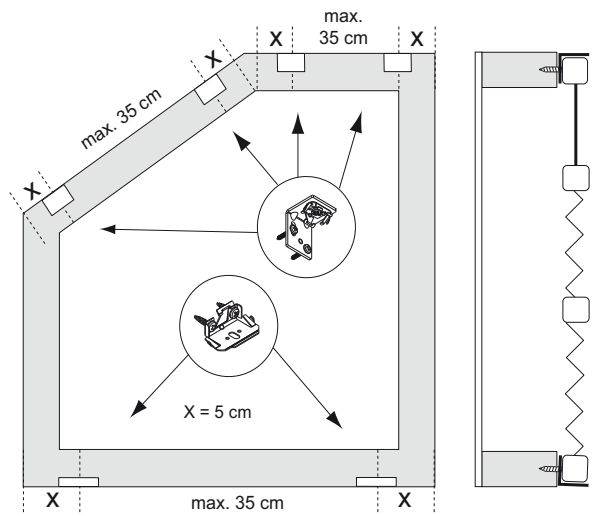
Model
2802/52
2812/62

- ! Do not damage the product when using a sharp knife to open the packaging! Fitting screws: Use a size-2 screwdriver (PO-ZIDRIVE) or use an electric screwdriver at it's lowest torque.
- Rail removal: Use a flat screwdriver of max. 6 mm wide. Only

use the original screws enclosed, to prevent malfunctioning from using too thick screw heads!



| Product width | Number of parts | | | | | | |
|---------------|-----------------|-----|-----|-----|---|-----|-----|
| | | | | | | | |
| 0 - 80 cm | 3 | var | var | var | 1 | var | var |
| 81 - 115 cm | 4 | var | var | var | 1 | var | var |
| 116 - 150 cm | 5 | var | var | var | 1 | var | var |



Installation TopFix / RecessFix [R1]



Model

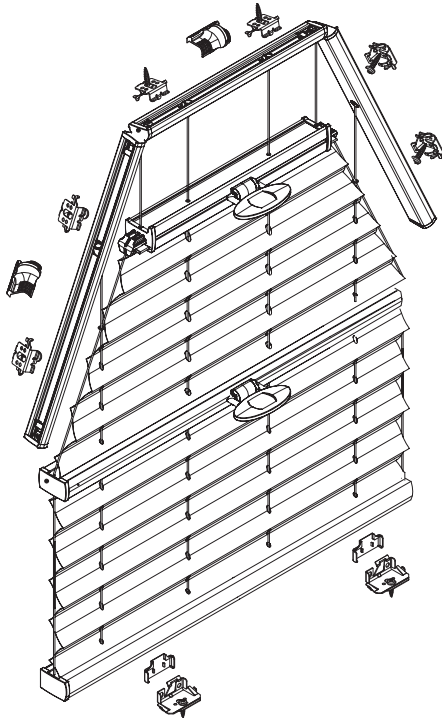
3812

3862

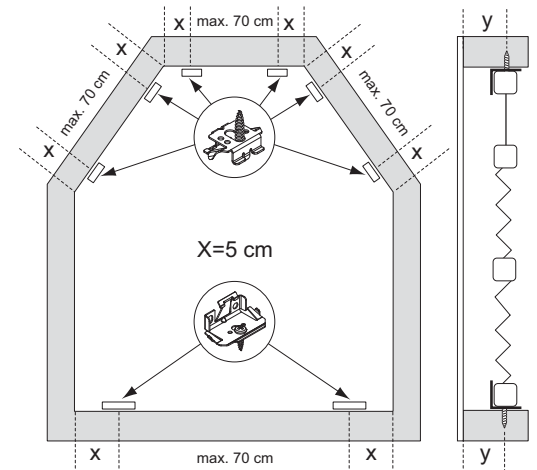
- ! Do not damage the product when using a sharp knife to open the packaging! Fitting screws: Use a size-2 screwdriver (POZIDRIVE) or use an electric screwdriver at it's lowest torque.
- Rail removal: Use a flat screwdriver of max. 6 mm wide. Only

use the original screws enclosed, to prevent malfunctioning from using too thick screw heads!

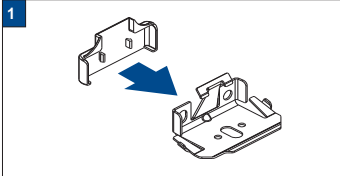
Installation and User's manual PB - GB



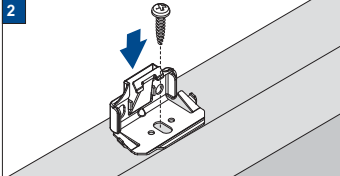
| Product width | Number of parts | | | | | |
|---------------|-----------------|---|-----|-----|---|-----|
| | | | | | | |
| 0 - 80 cm | 2 | 2 | var | var | 1 | var |
| 81 - 150 cm | 3 | 3 | var | var | 1 | var |



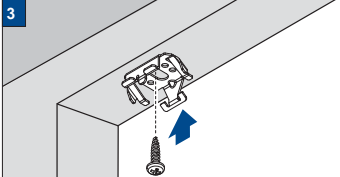
Cover installation



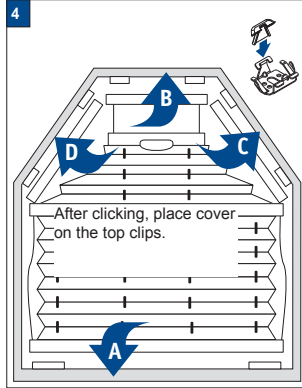
Clip installation (bigger rail)



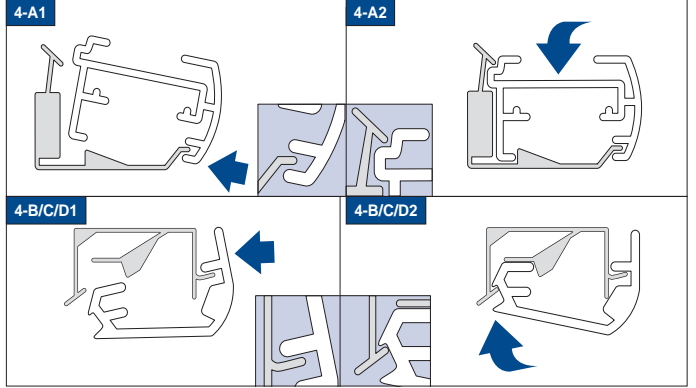
Clip installation (bottom rail)



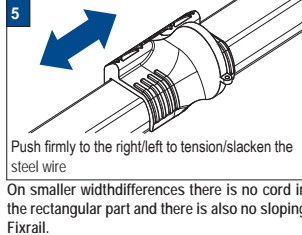
Installation sequence



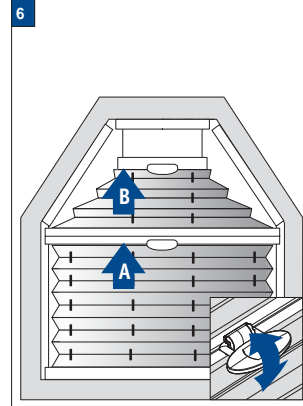
Rail installation sequence on Clips



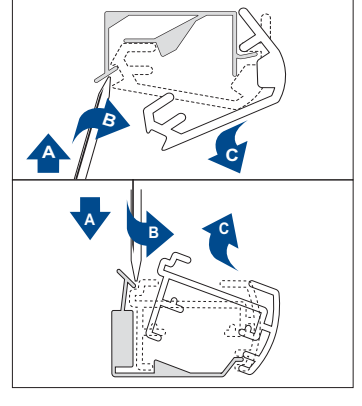
Tensioning/slackening the steel wire



Operation



Removal



21-03-2014

FaceFix installation to a window frame / wall [F1]



Model

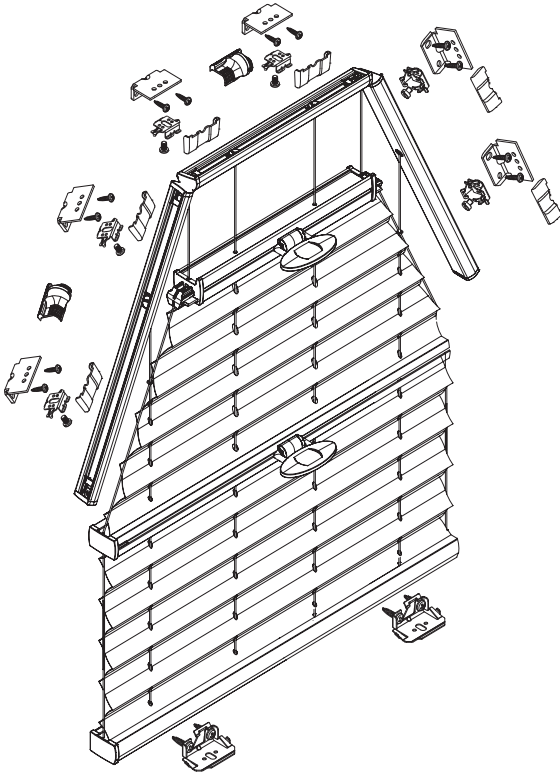
3812

3862

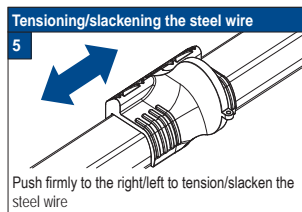
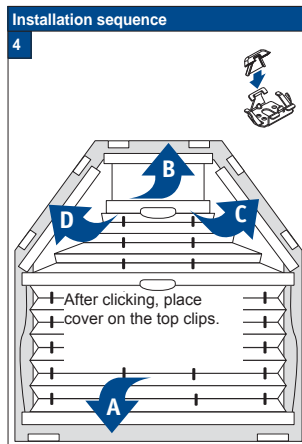
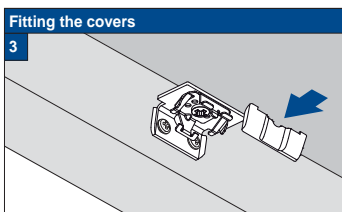
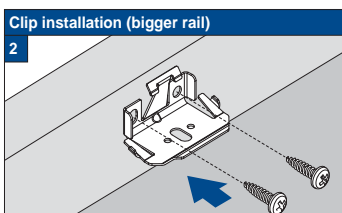
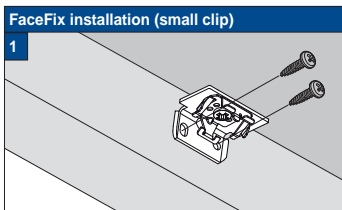
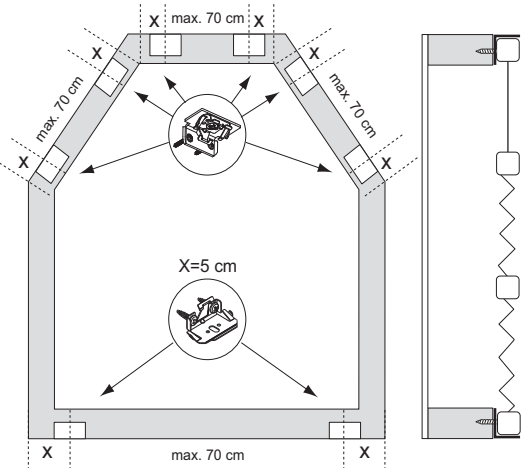
- Do not damage the product when using a sharp knife to open the packaging! Fitting screws: Use a size-2 screwdriver (PO-ZIDRIVE) or use an electric screwdriver at it's lowest torque.
- Rail removal: Use a flat screwdriver of max. 6 mm wide. Only

use the original screws enclosed, to prevent malfunctioning from using too thick screw heads!

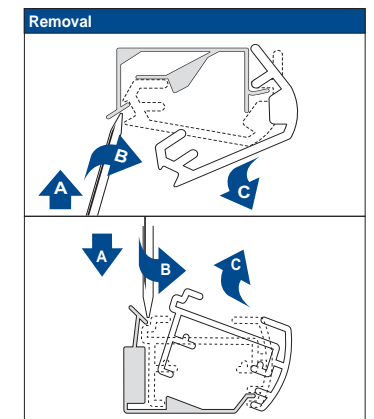
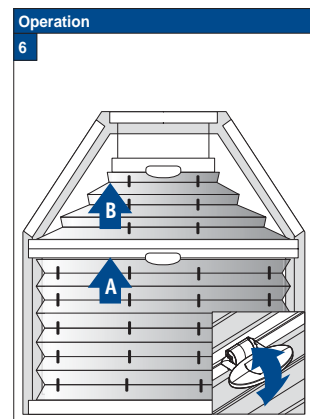
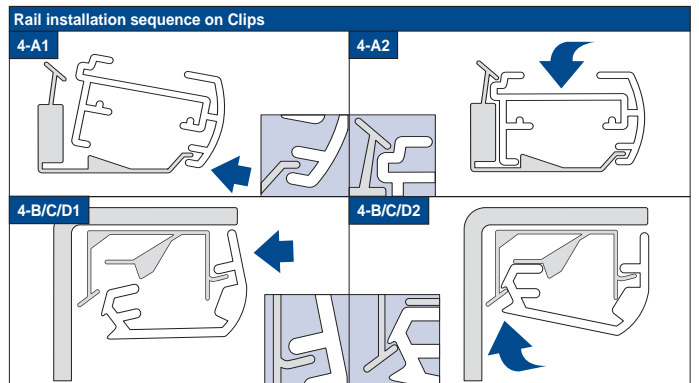
Installation and User's manual PB - GB



| Product width | Number of parts | | | | | | | |
|---------------|-----------------|-----|-----|-----|---|---|-----|-----|
| | | | | | | | | |
| 0 - 80 cm | var | var | var | var | 2 | 1 | var | var |
| 81 - 150 cm | var | var | var | var | 3 | 1 | var | var |



Push firmly to the right/left to tension/slacken the steel wire
On smaller width differences there is no cord in the rectangular part and there is also no sloping Fixrail.



21-03-2014

Installation TopFix / RecessFix [R1]

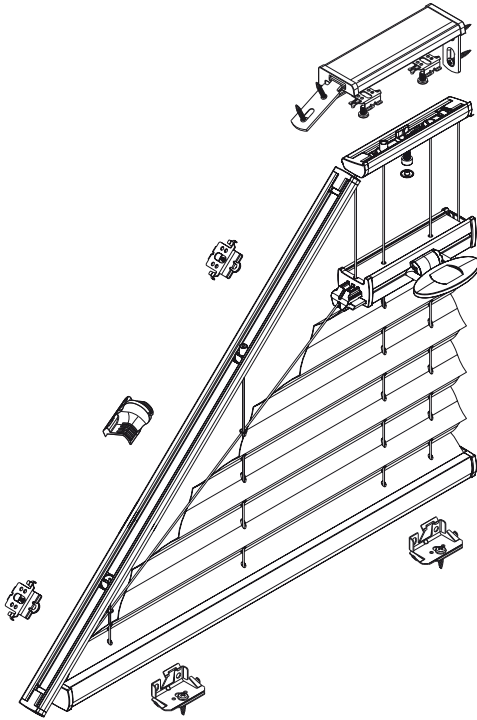


Model
2702/52
2712/62

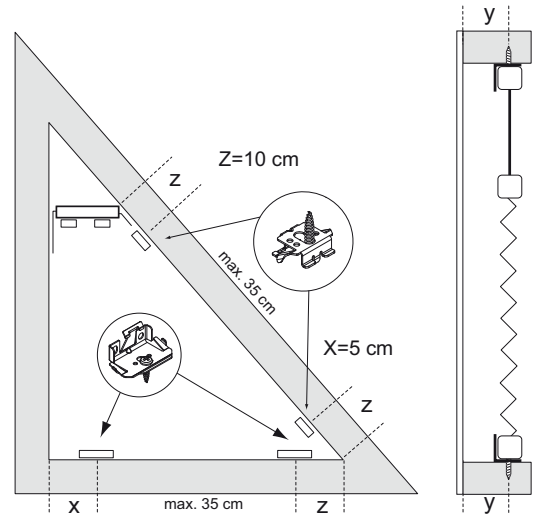
! Do not damage the product when using a sharp knife to open the packaging! Fitting screws: Use a size-2 screwdriver (PO-ZIDRIVE) or use an electric screwdriver at it's lowest torque.
● Rail removal: Use a flat screwdriver of max. 6 mm wide. Only

use the original screws enclosed, to prevent malfunctioning from using too thick screw heads!

Installation and User's manual PB - GB



| Product width | Number of parts | | | | | | | |
|---------------|-----------------|-----|---|---|---|-----|-----|---|
| | | | | | | | | |
| 0 - 80 cm | 2 | var | 2 | 1 | 2 | var | var | 4 |
| 81 - 115 cm | 3 | var | 2 | 1 | 2 | var | var | 4 |
| 116 - 150 cm | 4 | var | 2 | 1 | 2 | var | var | 4 |



Clip installation (high rail)
1

Profile installation
2

The adjustable SideBrackets can be bend to the actual incline.

Clip installation (bottom rail)
3

Installation sequence
4

Note: if necessary, before clicking the rail into place, slacken the steel wire. After clicking, place cover on the bottom clips.

Rail installation sequence on Clips

4-A1, 4-A2, 4-B/C1, 4-B/C2

Tensioning/slackening the steel wire
5

Push firmly to the right/left to tension/slacken the steel wire

Operation
6

Removal

21-03-2014

FaceFix installation to a window frame / wall [F1]

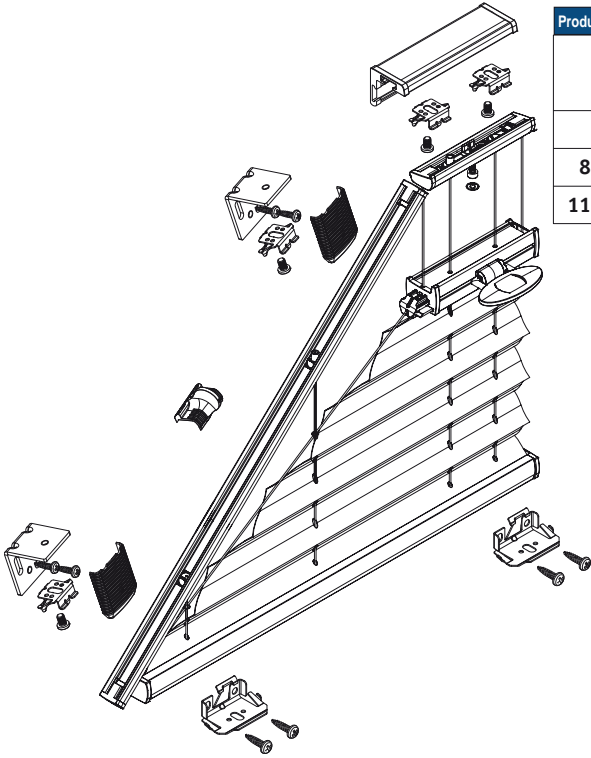


Model
2702/52
2712/62

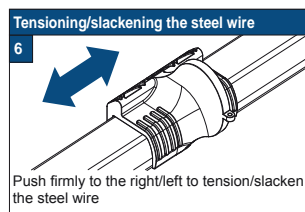
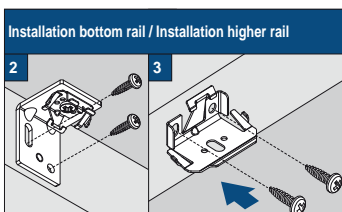
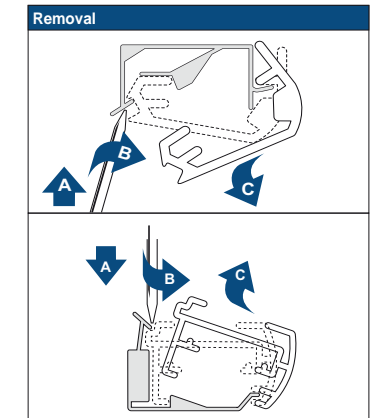
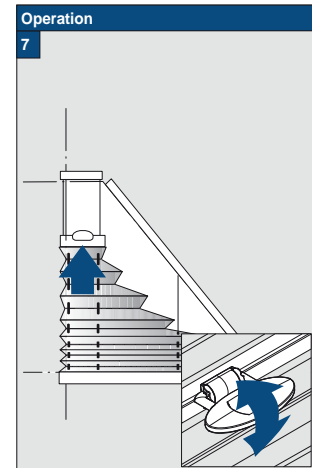
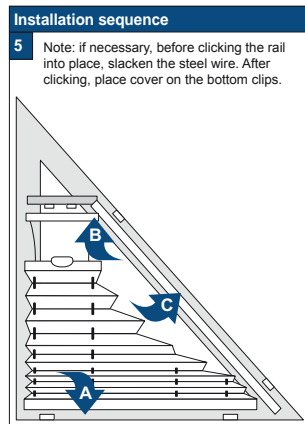
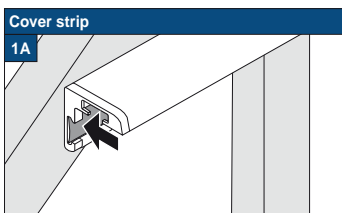
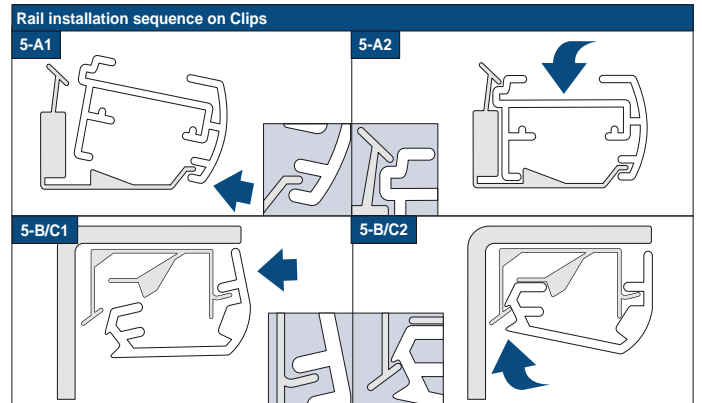
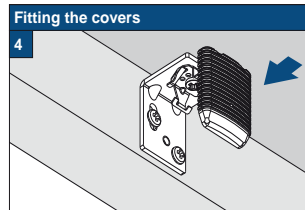
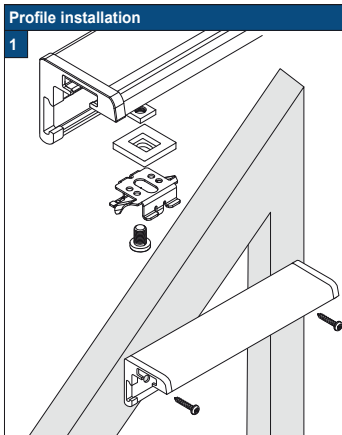
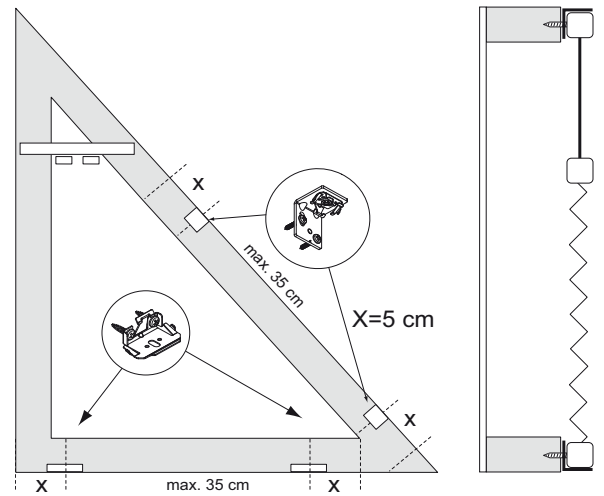
Do not damage the product when using a sharp knife to open the packaging! Fitting screws: Use a size-2 screwdriver (PO-ZIDRIVE) or use an electric screwdriver at it's lowest torque.
● Rail removal: Use a flat screwdriver of max. 6 mm wide. Only

use the original screws enclosed, to prevent malfunctioning from using too thick screw heads!

Installation and User's manual PB - GB



| Product width | Number of parts | | | | | | | | |
|---------------|-----------------|-----|-----|-----|---|---|---|-----|-----|
| | | | | | | | | | |
| 0 - 80 cm | 3 | var | var | var | 1 | 2 | 2 | var | var |
| 81 - 115 cm | 4 | var | var | var | 1 | 2 | 2 | var | var |
| 116 - 150 cm | 5 | var | var | var | 1 | 2 | 2 | var | var |



21-03-2014

Installation TopFix / RecessFix [R1]

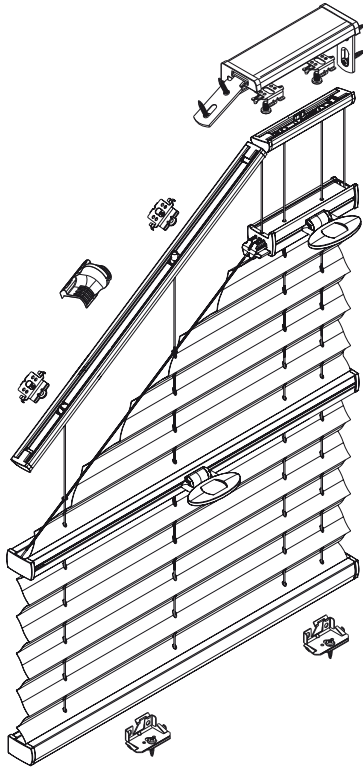


Model
2402/52
2412/62

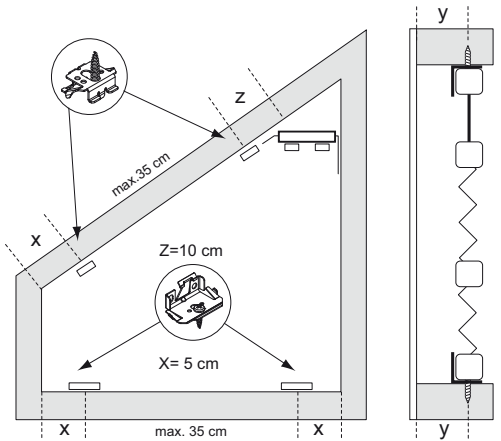
! Do not damage the product when using a sharp knife to open the packaging! Fitting screws: Use a size-2 screwdriver (PO-ZIDRIVE) or use an electric screwdriver at it's lowest torque. use the original screws enclosed, to prevent malfunctioning from using too thick screw heads!

● Rail removal: Use a flat screwdriver of max. 6 mm wide. Only

Installation and User's manual PB - GB



| Product width | Number of parts | | | | | | | |
|---------------|-----------------|-----|---|---|-----|-----|---|---|
| | | | | | | | | |
| 0 - 80 cm | 3 | var | 2 | 1 | var | var | 2 | 4 |
| 81 - 115 cm | 4 | var | 2 | 1 | var | var | 2 | 4 |
| 116 - 150 cm | 5 | var | 2 | 1 | var | var | 2 | 4 |



Clip installation (high rail)

1

Profile installation

2

The adjustable Side-Brackets can be bent to the actual incline.

Clip installation (bottom rail)

3

Installation sequence

4

Note: if necessary, before clicking the rail into place, slacken the steel wire. After clicking, place cover on the bottom clips.

Tensioning/slackening the steel wire

5

Push firmly to the right/left to tension/slacken the steel wire

Rail installation sequence on Clips

4-A1

4-A2

4-B/C1

4-B/C2

Operation

6

Removal

21-03-2014

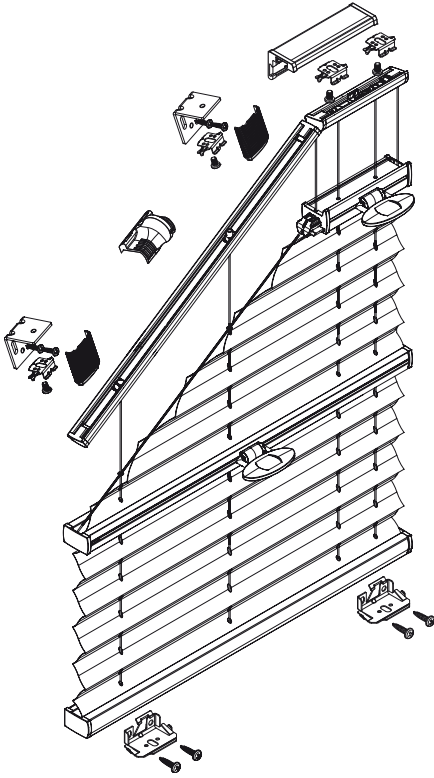
FaceFix installation to a window frame / wall [F1]

Luxaflex

Model
2402/52
2412/62

- ! Do not damage the product when using a sharp knife to open the packaging! Fitting screws: Use a size-2 screwdriver (PO-ZIDRIVE) or use an electric screwdriver at it's lowest torque.
- Rail removal: Use a flat screwdriver of max. 6 mm wide. Only

use the original screws enclosed, to prevent malfunctioning from using too thick screw heads!



| Product width | Number of parts | | | | | | | | |
|---------------|-----------------|-----|-----|-----|---|-----|-----|-----|---|
| | | | | | | | | | |
| 0 - 80 cm | 3 | var | var | var | 1 | var | var | var | 2 |
| 81 - 115 cm | 4 | var | var | var | 1 | var | var | var | 2 |
| 116 - 150 cm | 5 | var | var | var | 1 | var | var | var | 2 |

