



Installation manual

Awning *Kirkholm*

Simply brighter living



Icon overview



Use with sun



Don't use with snow



Don't use with rain



Don't use with hail



Use with sun and rain



Class by N. of cycles



Danger! Strong arm tension



Luxline 400



28 Km/h



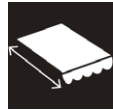
Made in Europe



CE standards



Width



Projection

IMPORTANT SAFETY INSTRUCTIONS. The system has powerful springs inside it. In the event of poor installation, these may cause the awning to open sharply. If any irregularities are observed during opening and/or closing, call a professional installer. To avoid possible damage, do not allow children to play with the awning.



Product parts



1 Support set and caps

2 Cassette profiles kit

3 Rubber sealant

4 Luxline 400 arms

5 Rolling tube

6 Roller end bearing

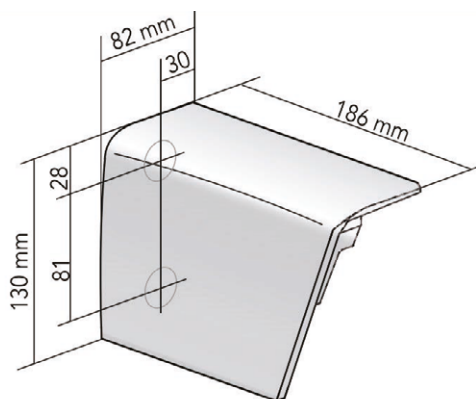
7 Led lighting kit with electric transformer

8 Motor and coupling

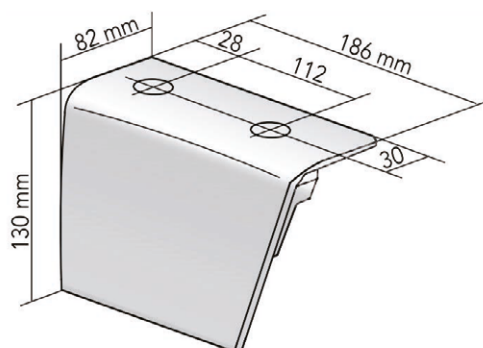


Mounting

Wall mounting (mm)



Ceiling mounting (mm)



Windclass



		
Arm projection (m)	Width	Class
3,50	5,00	C.1

Information about arms replacement



The arms have a protective band for correct identification:

GREEN: Right hand side viewed from outside

RED: Left hand side viewed from outside

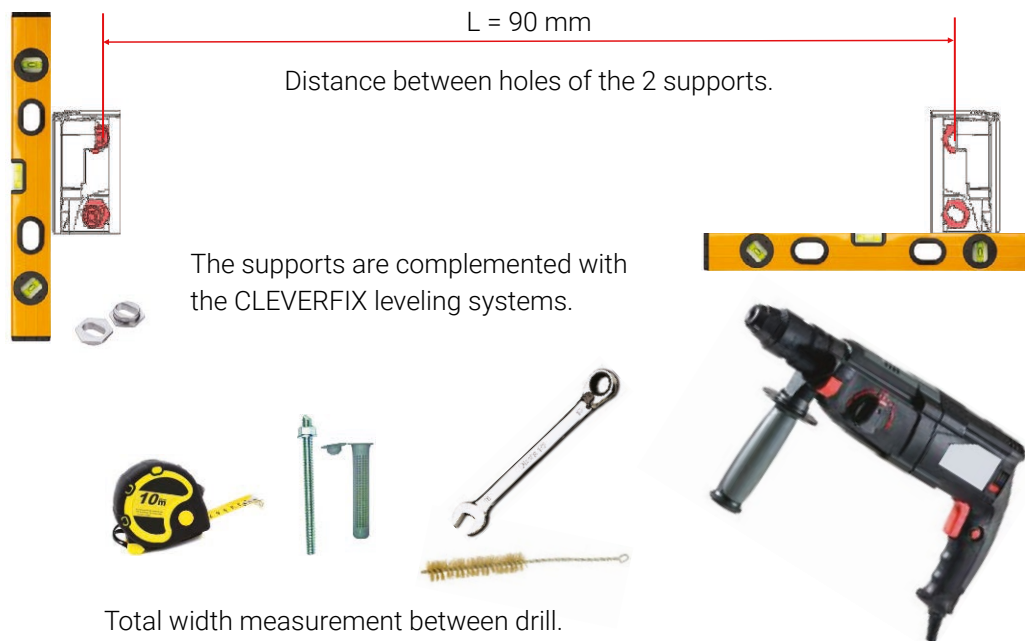


NEVER EXTRACT THE SAFETY TENSION BANDS UNTIL THE ARM HAS BEEN FIXED TO THE FRONT PROFILE.

Installation instructions

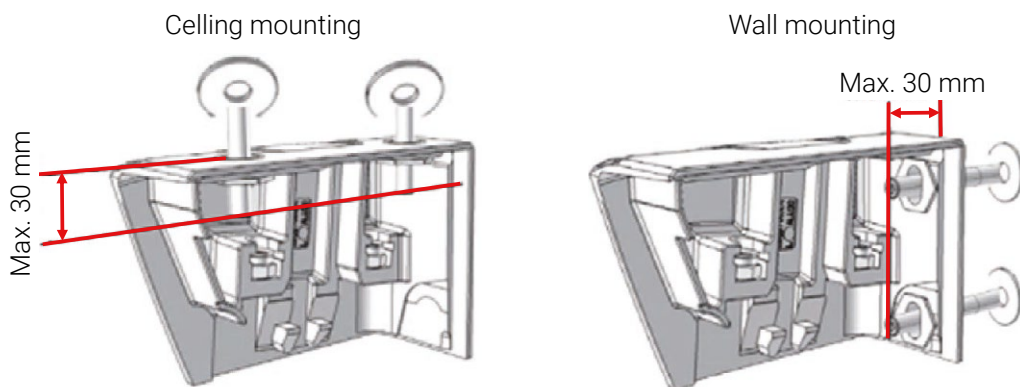
1

Support fixation; front or ceiling mounting.



2

Supports installation front or ceiling. The maximum insertion of the threaded rods inside the support must not exceed 30 mm.

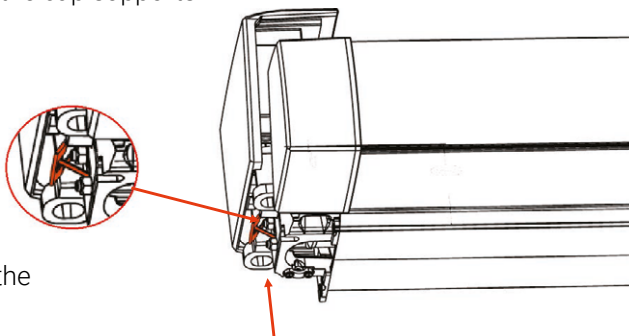


3

Both sides are at the same distance parallel to the cap supports.

Hung the cassette in parallel between two people.

Match the guides of the support with those of the awning, and clip the cassette to the support.

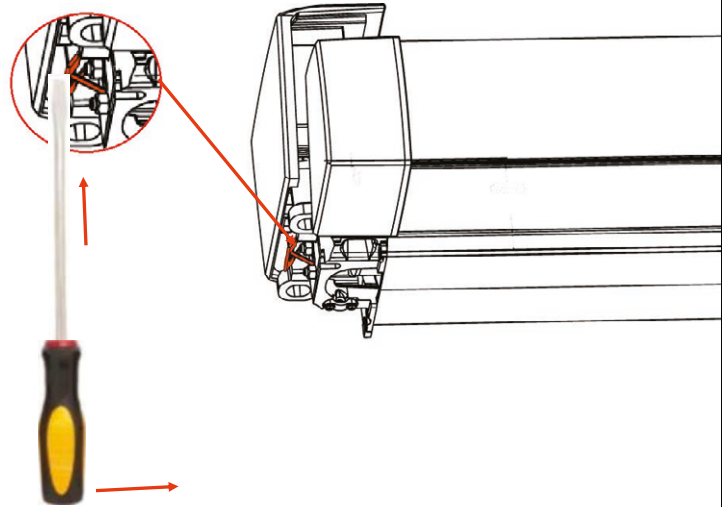


4

It is possible to unlock the cassette from the support whenever is needed.

Insert a flat screwdriver between the support and the steel plate, then lever to release the clipping.

Beware at handling the cassette when it is not clipped on the steel plate, as it may fall.



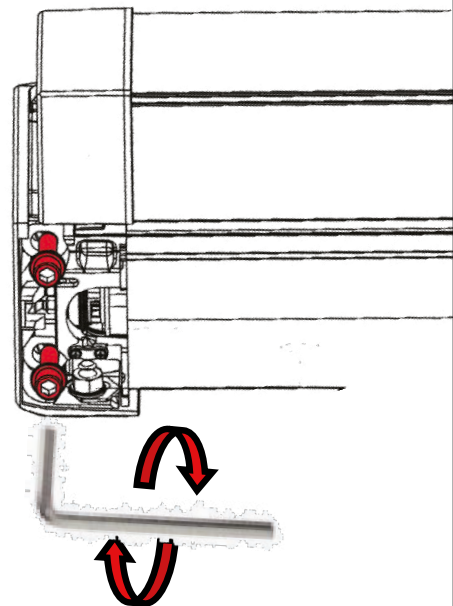
5

Fastening the cassette to the side support cup.

When performing this operation, observe that the cassette rises slightly in order to release the fixing clip from its support function.



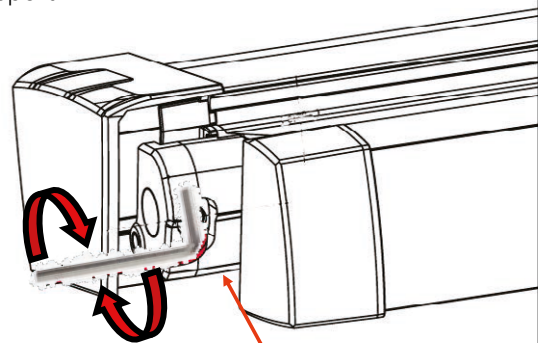
VERY IMPORTANT: Introduce the screws by hand in their first turns into the nut inlet in order not to insert them incorrectly.



6

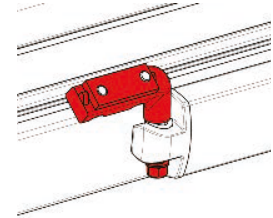
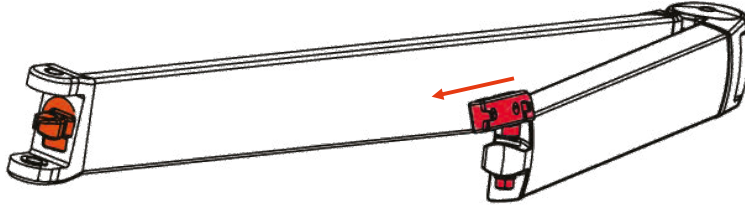
Adjust the slope and the alignment through the arm support.

Using an Allen key M-10, turn the front screws of the arm support, as shown in the image.



7

IMPORTANT: Observe the final position of the front rail connector once it's been placed in its housing.

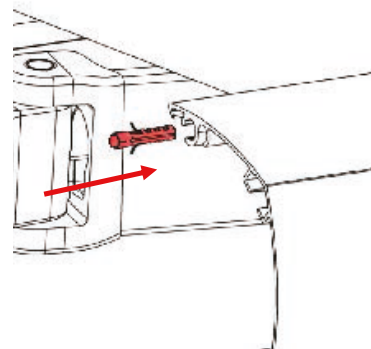
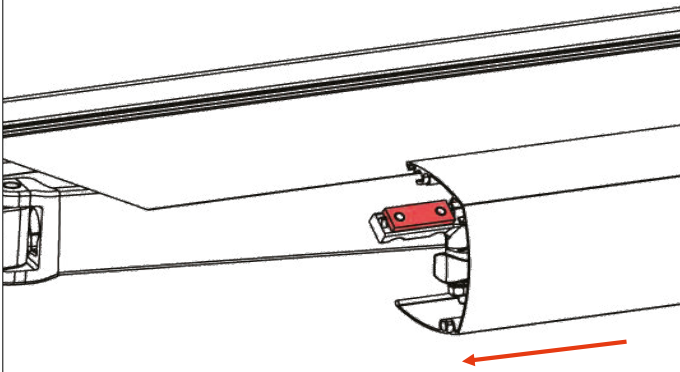


Place the front rail connectors in the arms.

Observe the marks that are stamped in them: "R" for the right arm, "L" for the left arm.

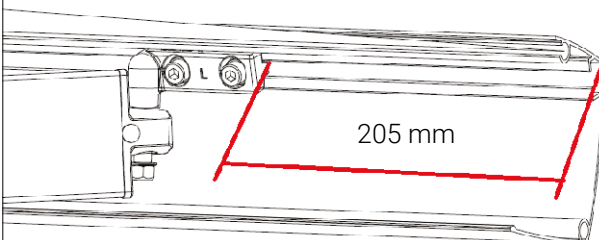
8

Fixing the fabric at the front profile.



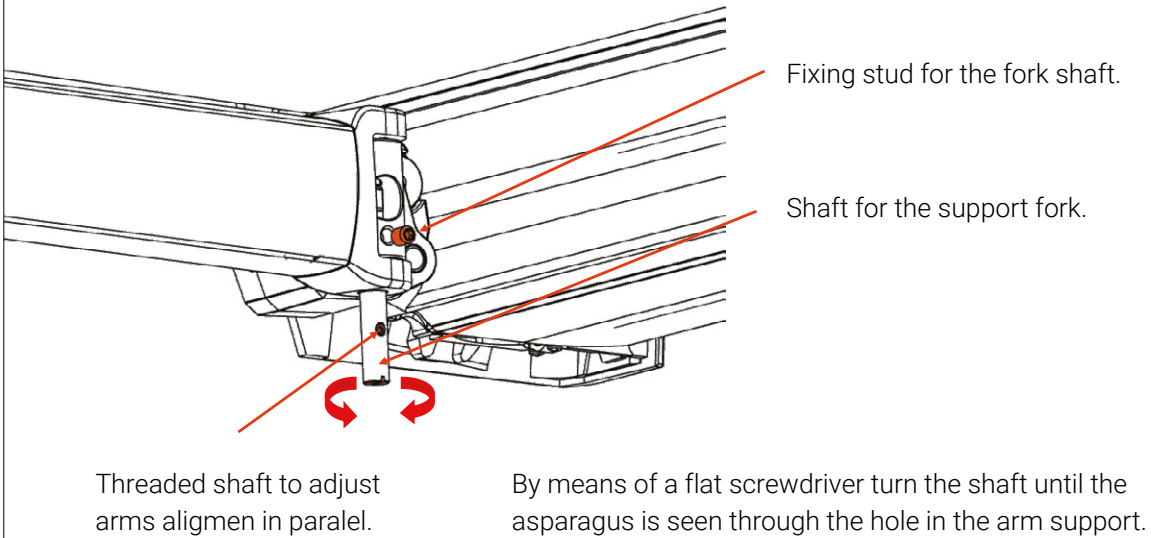
9

The placement distance for the front rail connectors is 205 mm from the cutting end of the front profile to the end of the front rail connector.



This measurement is fine for the following models of arms: Luxline 400, Vector 400.

10 Fixing the arm in the arm support each side.

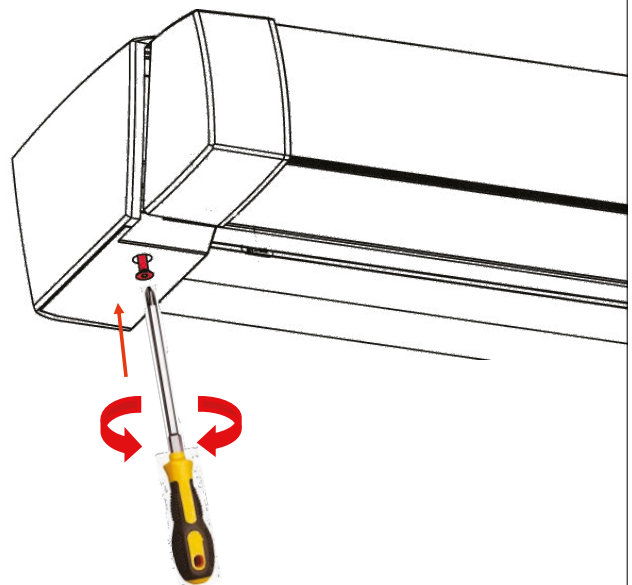


11 Press the sliders into the front profile, making them match with the position of the elbow, when the cassette closes.

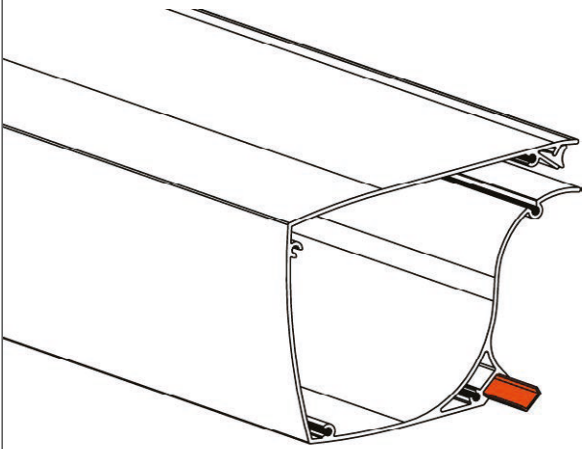


ATTENTION: The sliders will help the cassette to close perfectly provided they are in their proper placement.

12 Finally place the concealment lower cap in each of the side supports.



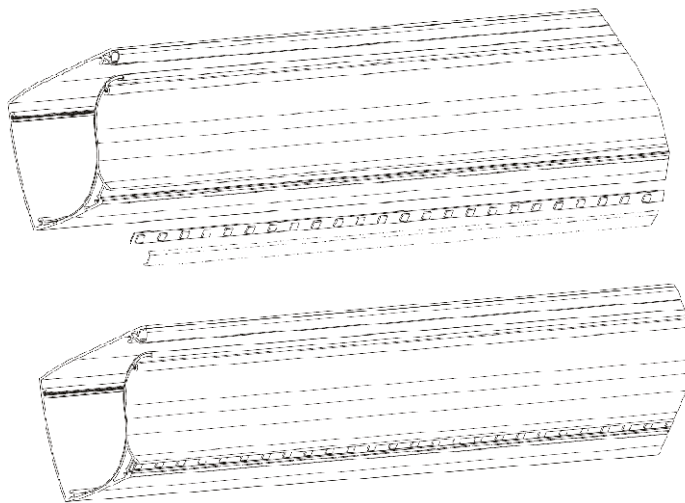
13 The slot for the plastic diffuser profile is placed in the lower front part of the cassette profile.



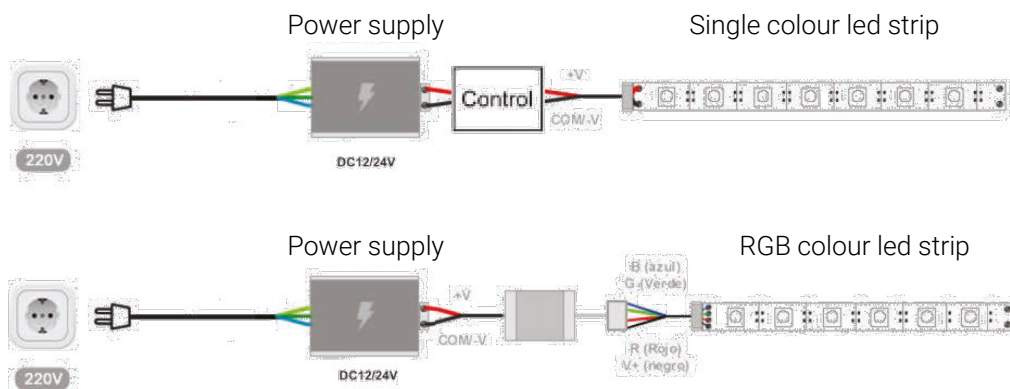
The diffuser profile can be placed as a concealment element even if there is no led strip inserted in the slot.

This led lighting system can be managed through a radio transmitter.

14 The led strip sticks in the slot through its self-adhesive layer.



15 Connection examples for led strips operated by hand transmitter.



Basic notes on assembly and installation:

- Assembly and installation should be done by trained personnel.
- **IMPORTANT SAFETY CONSIDERATIONS:** For proper installation of the awning, the instructions for assembly and installation must be carefully followed step by step. Keep plastic bags or any other mounting pieces out of children's reach.
- Do not alter the design or the configuration of the system, nor modify the installation method without consulting the manufacturer or an authorised representative.
- If the awning is motorised and there is a switch, this should be placed so that the user does not interfere with the movement of the awning, and at a height of less than 1.3 metres when possible.
- If the awning is manually operated, it should be accessible at a height of 1.8 metres.
- If the awning is to be installed in windy areas where there are frequent blackouts, manual operation or the use of a back-up generator is recommended.

Information to the user

The awning must be rolled away:



- In the event of ice, if operation is particularly difficult and in the absence of safety measures, stop the operation until more favorable conditions prevail.
- During opening and closing, make sure there is no obstacle which could get in the way. NEVER FORCE THE AWNING! If the awning does not move at all when you try to operate it, call a professional installer.
- In the case of motorized awnings, it should be borne in mind that the motor features a thermal safety device to avoid overheating and breakdowns. This device is activated when the operating switches are pressed insistently.
- Do not submit the installation to additional loads or stresses not covered by the manufacturer's Configuration. Do not interfere with the system's fixing components.
- Examine the installation if it has been subjected to adverse weather conditions, and if any repairs are needed do not use it. In such cases, a professional installer should be called.
- Keep the installation clean and in good condition. A yearly maintenance check by an authorized professional installer is recommended.
- We recommend that the awning is equipped with rain and/or wind-automation that secures that the awning is not used when it is rain or heavy wind.

IMPORTANT SAFETY INSTRUCTIONS. The system has powerful springs inside it. In the event of poor installation, these may cause the awning to open sharply. If any irregularities are observed during opening and/or closing, call a professional installer. To avoid possible damage, do not allow children to play with the awning.



It is very important to follow these installation and operating instructions exactly.
We cannot accept any responsibility for problems arising out of a failure to follow
the installation and operating instructions.

If you would like more information and/or you are having problems, please contact
the dealer where you bought your Luxaflex® product.

Simply
brighter
living



All rights reserved. Unauthorised copying is prohibited. Technical data subject to change without notice.
No rights can be derived from copy, text pertaining to illustrations or samples. Subject to changes in
materials, parts, compositions, designs, versions, colours etc., even without notice.
© Registered trademark. A HunterDouglas® product. © Copyright HunterDouglas® 2025.