



## Installation manual

# Duo-awning *Göteborg*

Simply brighter living



### IMPORTANT SAFETY INSTRUCTIONS:

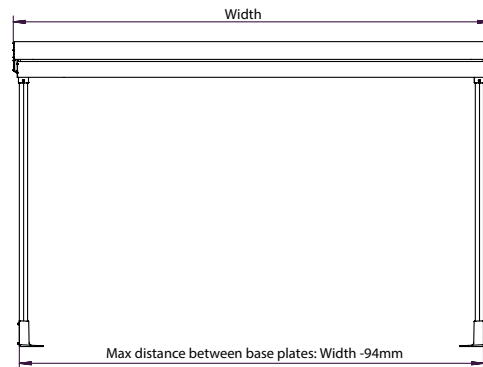
- Make sure the awning is installed on a stable ground.
- Make sure the awning is not installed on rotten wood, cracked concrete e.t.c
- Motor and automation products needs to be installed by accredited electricians

## Installation instructions

1

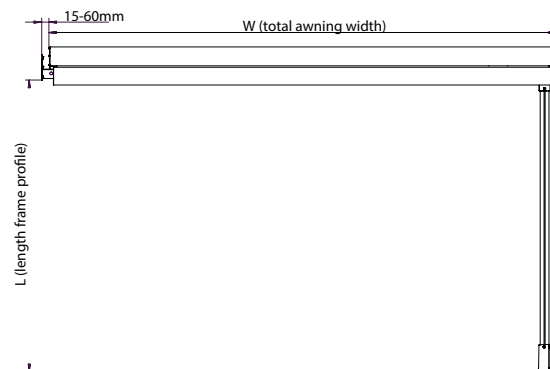
Measure and place the base brackets on a flat and stable surface with good possibilities for fastening bolts/screws. Max distance between base brackets is total awning - 94mm, see picture. Prepare the electricity if it is to run inside the frame profiles of the awning. Fix the brackets to the ground.

If installed with spreader plates and weights - make sure there is a solid and stable ground under the plates. Place reinforcement plates and spreader plates, and fix with relevant bolts and nuts.



2

The wall bracket must be installed so that the awning is levelled. The distance between ground and the under side of the wall bracket is equal to the length of the of the frame profile (if the ground is levelled).



3

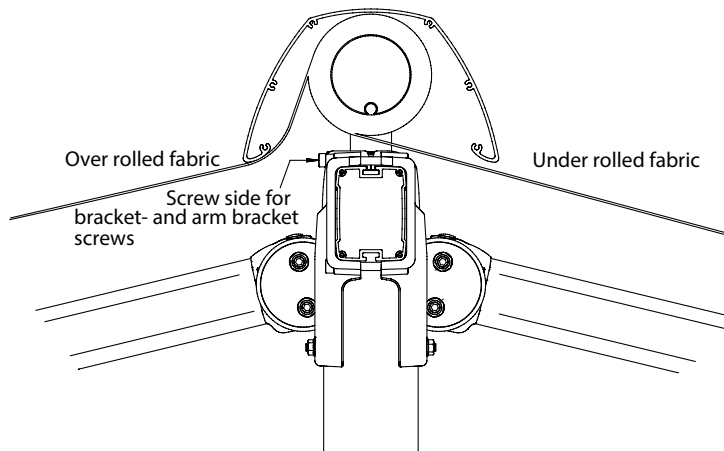
Place the base brackets on a levelled surface, if needed cut the base profiles/legs to make sure the awning can be horizontal.

Pre-assemble the locking plate in each base bracket - do not tighten the screws. Place the frame profiles/legs in the base brackets and tighten the screws for the locking plates. Place 4 pcs of the T-slot bolt in each leg profile (6 pcs if angle brackets are to be used). Screw 2 of these in the base brackets.

When using base plate for weights. Place the weights in the box. (24 pcs of concrete plates 40x40x5 cm).

4

Make sure the top brackets are loose, and installed correctly.



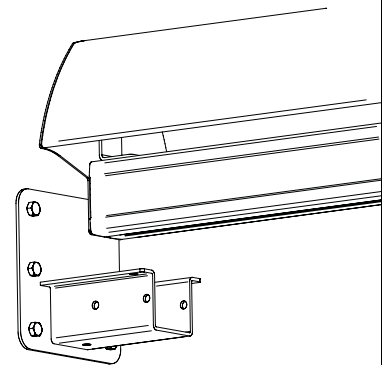
Assemble the horizontal frame profile on the leg profiles. Fasten the top brackets by tightening the top screws and the T-slot bolts on the leg profiles.

Assemble the rest of the parts. Make sure the arm brackets are installed on the horizontal bar as picture above.

5

Place the horizontal frame profile in the wall bracket.

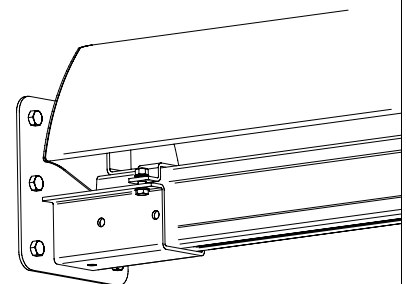
Make sure the measure from wall to the awning is 15 - 60 mm.



6

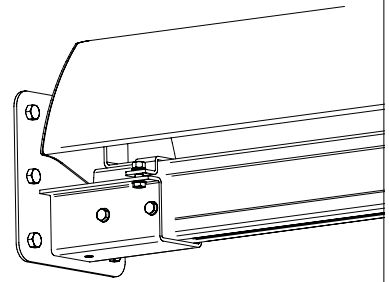
Secure the awning with the clamp bracket on top of the horizontal frame profile.

Drill 2 holes (dia. 8,5 mm) through the horizontal frame profile (through the pre-drilled holes in the wall bracket).



7

Assemble the screws through the drilled holes.



8

After the motor is installed by an accredited electrician, the angle on the fabric can be adjusted. The angle of the fabric is adjusted with the stop screw and bolts in each arm bracket.

Project the awning to its end position. Adjust one arm at the time. Loosen the nuts (1) 1-2 turns.

When adjusting - the arm needs to be lifted so there is no weight on the stop screw (2).

(OBS! There may be a snapping noise when the arm is lifted and the conic plate becomes loose - this is normal.

The stop screw (2) is adjusted to reach dedicated angle of the arm. Recommended angle for the fabric is  $>10$  degrees.

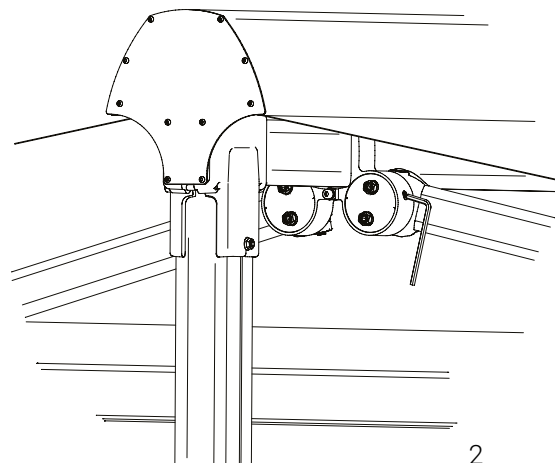
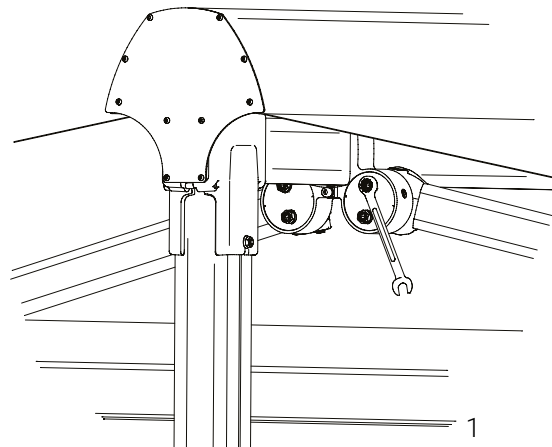
-The angle of the arm is raised when the stop screw is screwed in.

-The angle of the arm is lowered when the stop screw is screwed out.

Tighten the nuts (1) a bit. Repeat the above procedure on the other arms.

The recommended clearance under the front bar is 2,0-2,2 meters. Retract the awning.

Tighten the nut (1) firmly for correct height of the knee (the knee must be lifted as the nut is being tightened) and now tighten the lower nut. Repeat this procedure for the other arms.





# Information to the user

## **Maintenance**

The frame and the fabric are subjected to dirt and pollution and should be cleaned at least once a year in order to retain their high finish. This is particularly important in more exposed installations, e.g. environments near the sea. Use a soft cloth, tepid water and a mild cleaner. Do not use a high-pressure washer as it can damage the awning fabric and any electrical equipment, etc. For a detailed description of cleaning the fabric, please refer to its usage instructions.

## **Removing the valance**

The valance is the most exposed part of the awning. To increase the valance's lifespan it can be stored indoors during the winter months. First loosen the front profile's left or right end cover. Then loosen the valance's fabric lock. Move the valance to the side so that it slides out from the front profile. Put back the end cover and store the valance indoors.

## **Changing the awning fabric**

Before changing the awning fabric it is recommended to contact the company from which the awning was purchased to arrange an inspection of the frame. This company can provide more information about changing the fabric and also provide advice in case some other component may need to be replaced in order for the awning to maintain its finish and function.

## **Warning - always allow a professional adjust the folding arms**

An awning has very powerful springs inside the arm's aluminium profiles. If the arm is loosened

without first being secured it can cause serious personal injury and in the worst case death. The arms must therefore always be adjusted by a professional.

## **Warning - always allow a professional loosen the awning's end covers**

The awning's end cover may need to be loosened when changing gears, the motor or the canvas. If the awning's end cover is loosened without all of the awning's arms being secure, the arms can cause serious personal injury and in the worst case death. The awning's end covers must therefore always be loosened by a professional.

## **Warning - rolling out the awning**

When washing windows, painting the facade, or carrying out maintenance or repair of the awning there are risks, e.g. for the ladder tipping over if the awning is rolled out when the work is being carried out. You should therefore keep the awning rolled up when work is being carried out near the sun protection. The automatic mechanisms on motorised awnings must be shut off in order to avoid unintentional operation. Also make sure that the awning cannot make portable infrared or bottled gas heaters tip over or come into contact with other objects that could damage the awning or cause other injuries.

It is very important to follow these installation and operating instructions exactly.  
We cannot accept any responsibility for problems arising out of a failure to follow  
the installation and operating instructions.

If you would like more information and/or you are having problems, please contact  
the dealer where you bought your Luxaflex® product.

Simply  
brighter  
living



All rights reserved. Unauthorised copying is prohibited. Technical data subject to change without notice.  
No rights can be derived from copy, text pertaining to illustrations or samples. Subject to changes in  
materials, parts, compositions, designs, versions, colours etc., even without notice.  
© Registered trademark. A HunterDouglas® product. © Copyright HunterDouglas® 2025.