



## Installation manual

# Awning *Blokhuis*

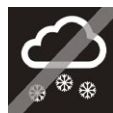
Simply brighter living



# Icon overview



Use with sun



Don't use with snow



Don't use with rain



Don't use with hail



Class by N. of cycles



38 Km/h



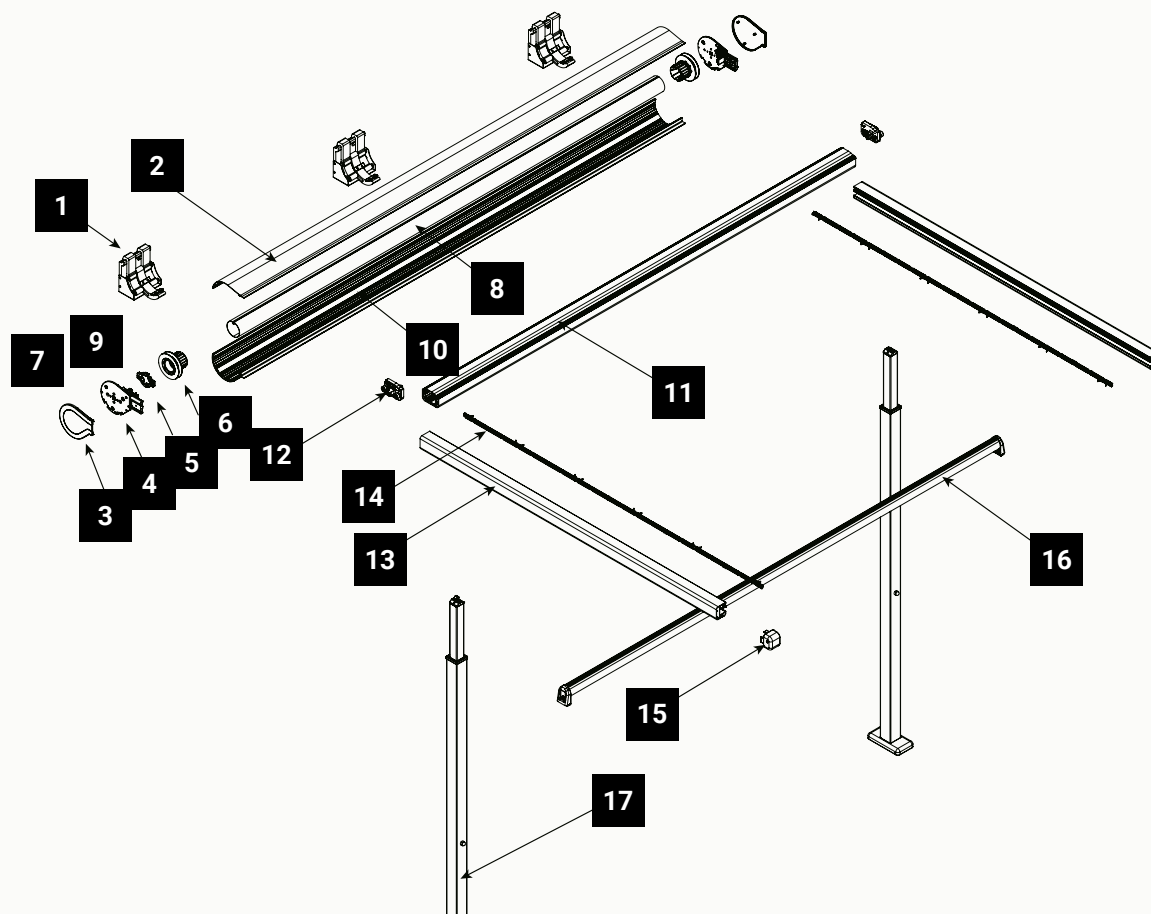
Made in Europe



CE standards



# Product parts



**1** Wall mount

**2** Base box

**3** Side cover

**4** Mounting plate

**5** Bearing mount

**6** Rewind sheel

**7** Motor mount

**8** Rewind tube

**9** Blenda

**10** Front slat cover

**11** Front slat

**12** Front slat carriage

**13** Guide rail

**14** Inlay

**15** Guide rail stopper

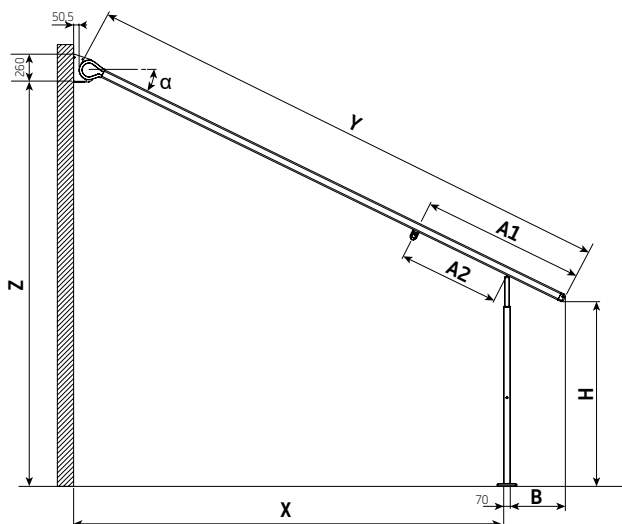
**16** Support beam

**17** Leg



# Mounting

**CAUTION!** Assembly and installation should be performed by trained personnel. Below is a sample drawing of the permitted product with the appropriate dimensions. The permitted dimensions of the product ( $\alpha$ , Z, B, H) must be checked during installation.

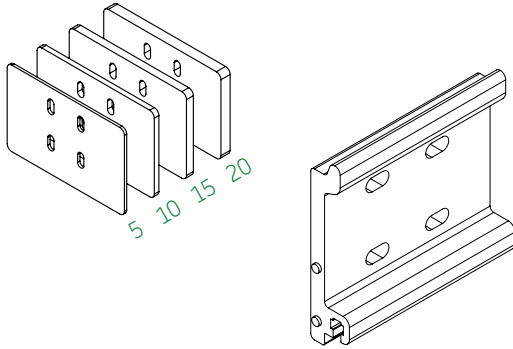


- $\alpha$  Acceptable inclination angle 5°-30° Optimum water drainage in case of inclination angle 15°-30° in case of inclination angle 5°-14° possible drainage with adjustable leg system
- Z The product installation height Min. 2420 mm (Y=2000 mm,  $\alpha$  = 5°) Max. 4750 mm (Y=5000,  $\alpha$  = 30°)
- A1 Distance of the support beam to the stopper
- A2 Distance of support beam to leg
- B Distance of leg from end of product (standard 500 mm Min. 500 Max. 1000 mm)
- H Height 2250 mm
- Y Maximum length of the product 5000 mm
- X Depth of the terrace

# Installation instructions

1

The product should be fixed to the wall, in case of wall irregularities > 5 mm spacing plates of different thickness can be used.

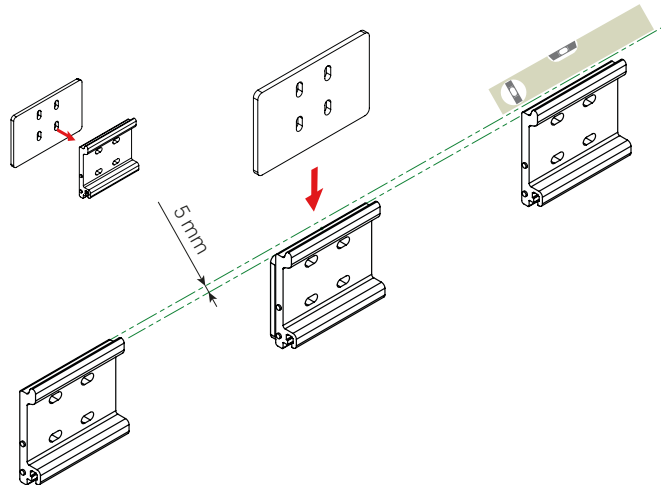


2

Mount the product to the wall in such a way that the elements are in one plane and the holes are on axis.

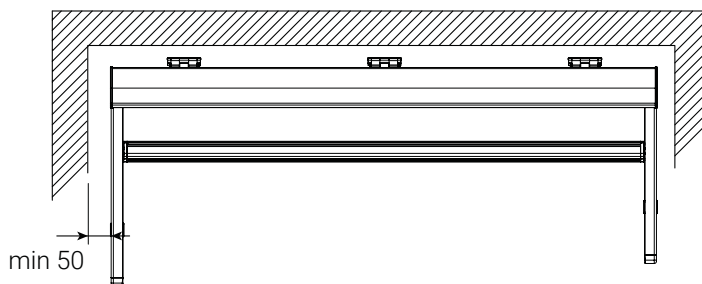
Use distance plates to compensate for uneven walls.

The center bracket shall be placed 5 mm lower than the outer brackets



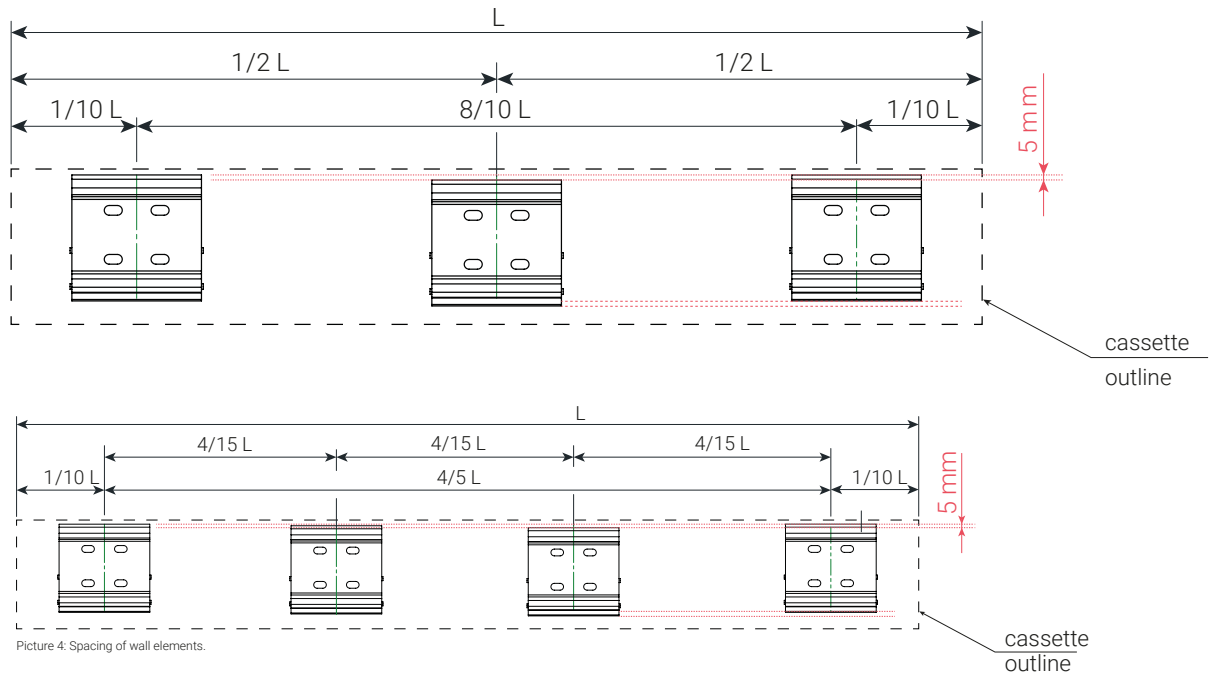
3

The distance between the fixing elements depends on the product width.



4

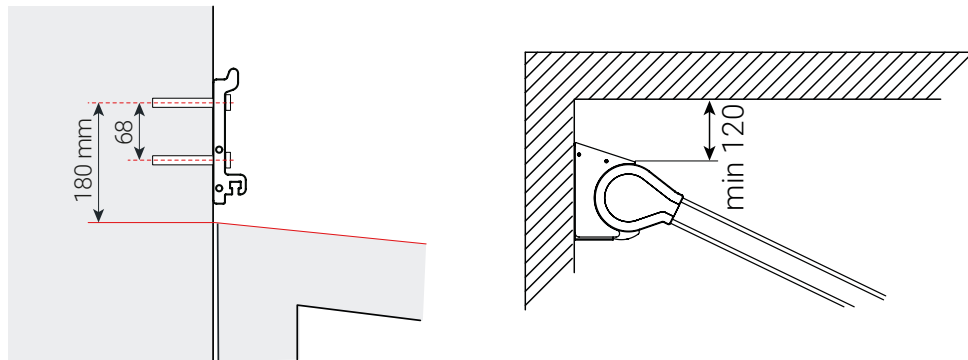
Spacing of wall elements. Mount the middle bracket 5 mm lower than the outer brackets.



Picture 4: Spacing of wall elements.

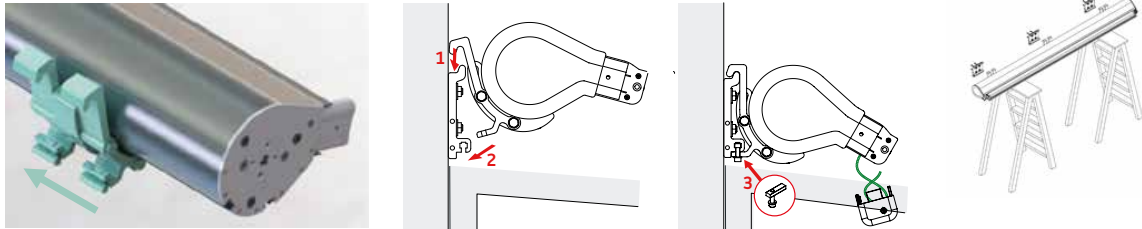
5

Marking the places for mounting wall fixings.



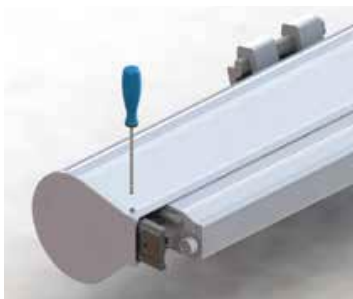
6

Remove the side cover and mount the cradle to the box with the same spacing as the wall mount. Lower the box and hook it on the wall plate (1), then slide the lower part of the mount (2). Finally insert the mount locks and tighten the screw (3).



7

After securing the box, fasten the fastening cover.



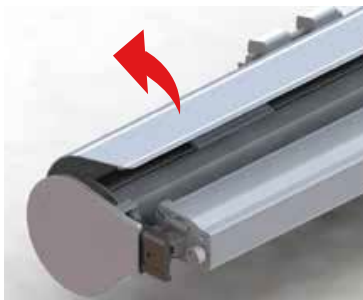
1. Unscrew (2x) the cover screws on the left and right side of the box.



3. Verification of the cord. The cord should be wound on the winding wheel and run onto the roller.



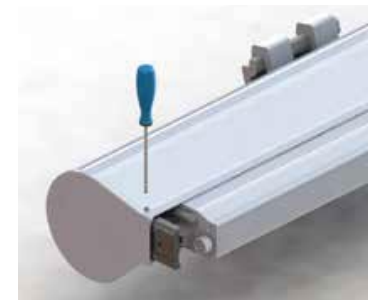
4. After checking and possibly correcting the cord, install the cover and screw it on.



2. Remove the cover.

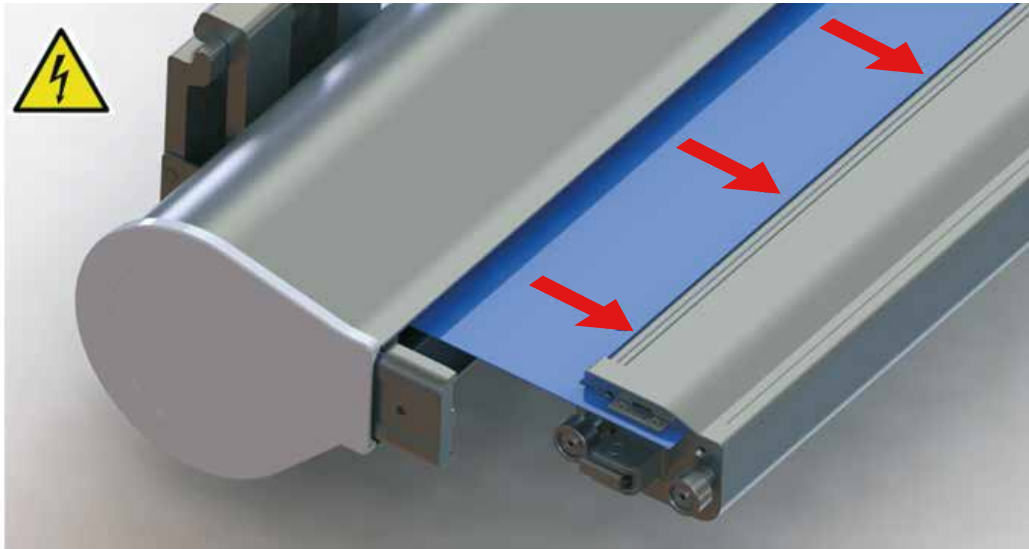


If the cord has fallen off the winding wheel during transport, this should be corrected.



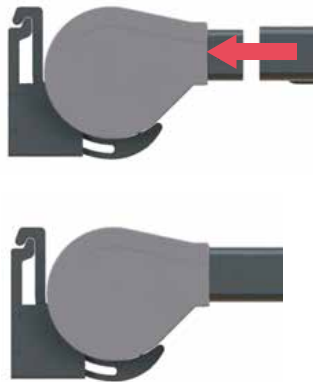
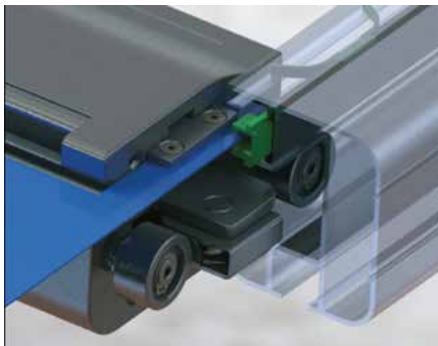
8

Connect the power supply and, using the remote control, move the cover slightly.



9

Then secure the bottom bar to prevent it from falling.



**CAUTION!** if the support bar has a LED strip or you have an electric leg - do not slide the slides in and go to step 12. In a minimum of 2 people slide the slides into the side, make sure there is a line in the middle of the slides, when sliding the slides in take the lock from the covering inlay.



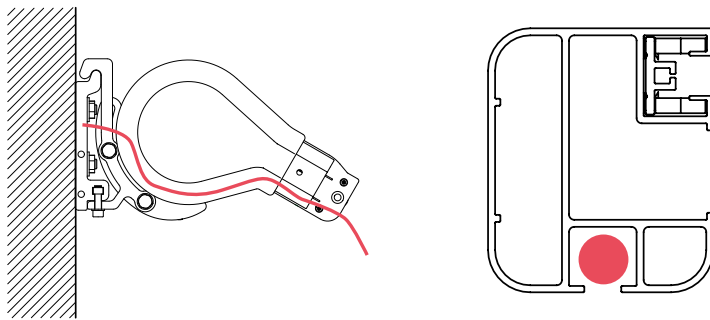
10

Insert the runners on both sides of the product.



11

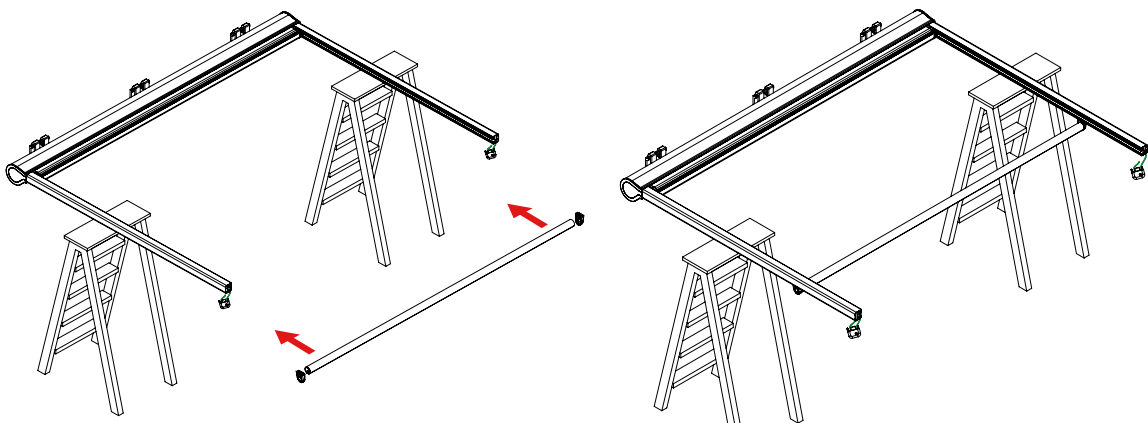
If you have LEDs or electric legs, run the LED/leg power cable through the marked groove in the guide rail. If you do not have power cables go to the information below.



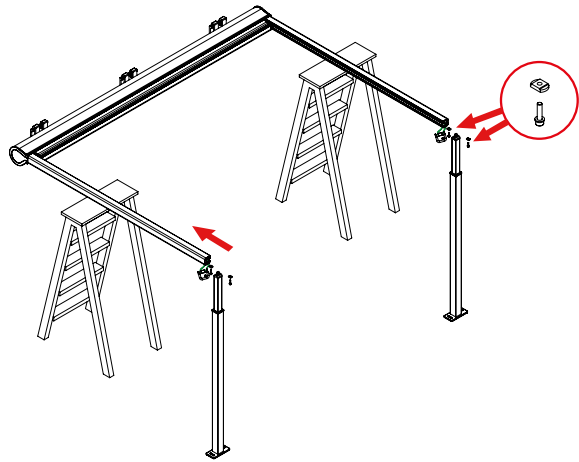
12

Insert the support beam into the guide rails.

- In case of 1 support beam and 1 leg pair, install the support beam first.
- In case of 2 pcs. of support beam and 1 pcs. of leg pair, install 2 pcs. of support beam. Then the legs.



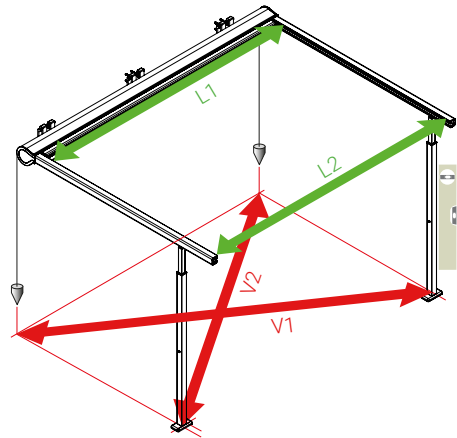
13 Mount the two legs.



14 Check the verticality of the leg with a spirit level and check the product diagonals for smooth operation.



$V1 = V2$   
 $L1 = L2$

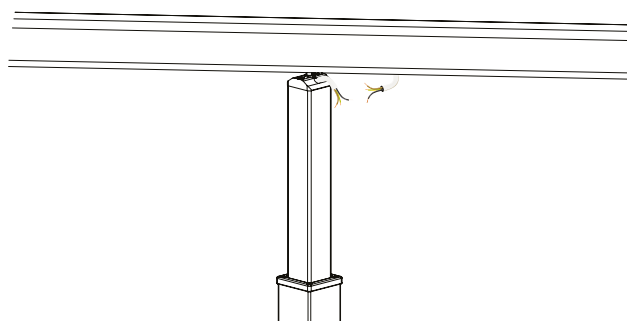


15 Then lock the item by tightening the screws in the guide rails and anchor the feet to the ground.

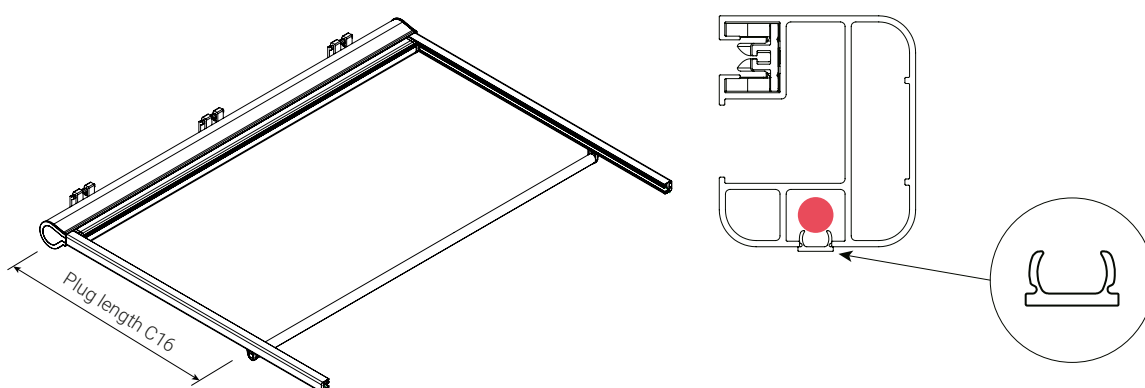


## In case of Blokhus with LED-light

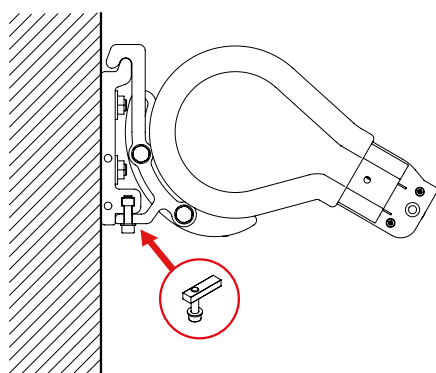
- 16 Connect the cables sticking out from the movable leg to those in the guide rail.



- 17 Cut the cable cap to size and press it into the groove of the guide rails.



- 18 Check the screws for looseness at the wall mount during installation.





### Warning

- Conduits passing through a metal wall should be protected and insulated with a shield or sleeve.
- For outdoor applications, install the product in a UV-resistant duct, such as under a guide rail/blend.
- Follow the applicable standards and regulations of the country of installation.
- Do not drop, hit, knock or immerse the product in liquid.
- Ensure that the power is turned off during the installation and wiring stages.
- Do not allow children to play with the curtain controls. Keep the remote control device away from children.

- This Somfy product must be installed by a professional drive and home automation installer. Moreover, the installer must comply with the standards and legislation where the product is being installed.

### Security measure

- Only one cable should be inserted into the wire.
- Pay attention to cable routing to avoid water ingress.
- Do not touch electrical components.
- Make sure, that the box cover is properly closed.

## In case of Blokhus with electric leg



Somfy Louver Control

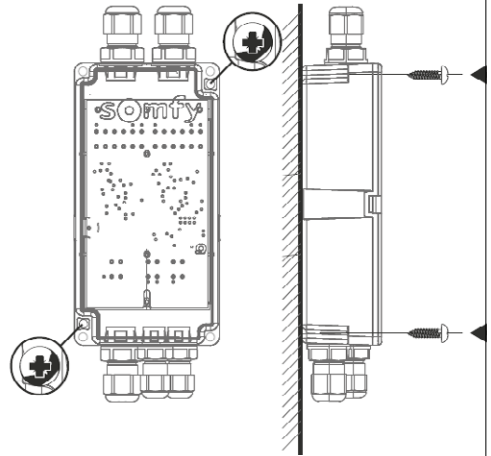
19

Determine the mounting location for the controller and power supply on the electrical leg side.



20

Mount the controller together with the power supply under the product's blend.



21

Unscrew the housing and connect the 24V power supply.

- 0VDCV - Power supply (0 VDC0) - black wire,
- +VDC - Power (+24 VDC) - red wire.

*\* Remove the insulation from the wires (between 9 and 10mm) and tighten the wires in the connectors.*



22

Connect the Blokhuis leg actuator to section M1.

- 0VDCV MOTOR - Power (0 VDC0) - black cable,
- +VDC MOTOR - Power (+24 VDC) - red wire.



23

Connect 230V to the 24V power supply and program the remote control.



**CAUTION!** Risk of electric shock. All connections and faults should be checked by qualified service technicians. Do not open the power supply housing and ensure that the power supply wires are tightly connected.

Cable colours may differ from country to country, so please refer to the table below.

	North America	European harmonised standards
Phase wire / ACL	Black	Brown
Neutral wire / ACN	White	Blue
PE / FG wire	Green	Green/Yellow

- The FG wire (green or green-yellow) of the power supply unit is to be connected to the PE protective wire (green or green-yellow), this step can be omitted if the device belongs to class II and is ungrounded.
- Connect the ACL wire (black or brown) of the power supply to the phase wire (black or brown).
- The ACN wire (white or blue) of the LED power supply should be connected to the neutral wire (white or blue).

24

Press simultaneously "UP" and "DOWN" of the control point on the selected channel. The leg will make a quick movement in one direction and back again.



25

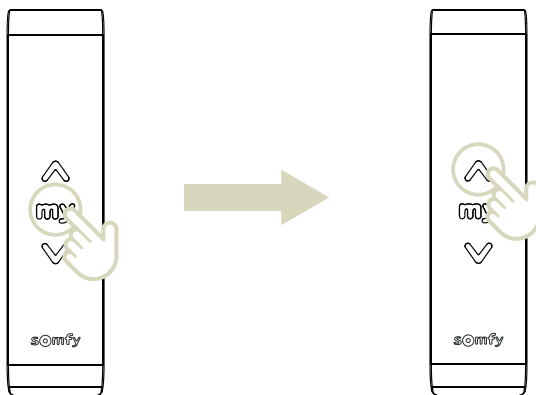
Control the direction of operation. Press the "UP" button.



26

If the leg open (extends), this means the direction is correct and proceed to the next step. If not proceed to the following step.

*\* If the leg closes, the direction is wrong and you need to press the "MY" button until the powered product moves in one direction and back: The direction of rotation has been changed. Press the "UP" button on the remote control to confirm the direction of rotation.*



27

Move the leg to the upper end position and press "UP" + "DOWN". Wait until the leg descends to the lower end position and returns to the upper point.



28

Press the "My" button until the drive makes a short movement in one direction and back.



In case of Blokhus with electric leg and/or LED-light



Somfy Louver Control



IO-receiver for LED-light

29

Determine the mounting location for the controller, power supply and hermetic housing.

30

When mounting the electrical control outdoors. Mount the controller, power supply and hermetic enclosure under the product sheet. The controller should be positioned so that the cables can easily reach the inside of the hermetic housing.

*\* For Blokhus with Somfy Louver controller, use one common 24V power supply to control the leg.*



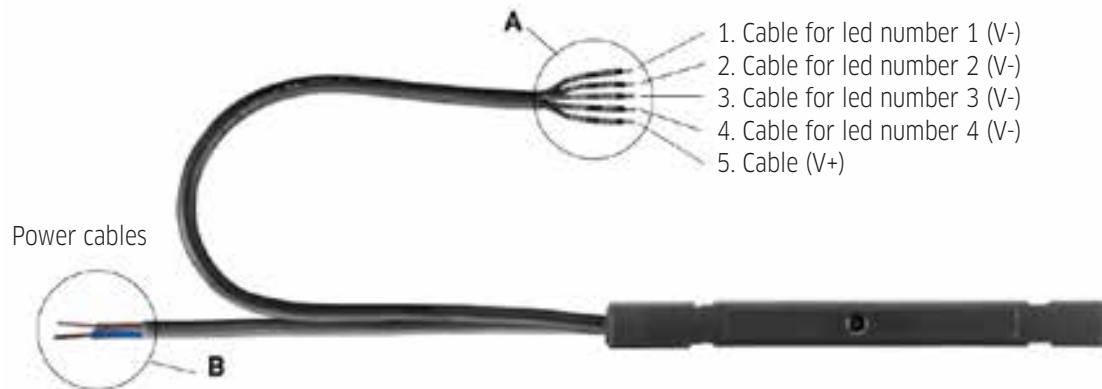


31

Unscrew the hermetic case and connect the appropriate wires to the controller.

- 0VDCV - Power (0 VDC0) - black wire with blue wire (B),
- +VDC - Power (+24 VDC) - red wire with brown wire (B).

\* Remove the insulation from the wires (between 9 and 10mm) and tighten the wires in the connectors. If less than 4 LED lights are connected, insulate the wires not connected to the LED Receiver IO with an individual fuse.



32

Connect 230V to the 24V power supply and program the remote control.



**CAUTION!** Possible risk of electric shock. All connections and faults should be checked by qualified service personnel. Do not open the power supply enclosure and ensure that the power supply wires are tightly connected.

Cable colours may differ from country to country, so please refer to the table below.

	North America	European harmonised standards
Phase wire / ACL	Black	Brown
Neutral wire / ACN	White	Blue
PE / FG wire	Green	Green/Yellow

- The FG wire (green or green-yellow) of the power supply unit is to be connected to the PE protective wire (green or green-yellow), this step can be omitted if the device belongs to class II and is ungrounded.
- Connect the ACL wire (black or brown) of the power supply to the phase wire (black or brown).
- The ACN wire (white or blue) of the LED power supply should be connected to the neutral wire (white or blue).

33

Press simultaneously "UP" and "DOWN" of the control point on the selected channel.

If the LED light comes on and then goes off go to step 34. If no LED light turns on go to step 35.



34

**One LED section lights up and then goes out:**

**Variant 1:** Save the control point for this LED section.

The LED was programmed correctly.



**Variant 2:** Not for this LED section, save the control point. Press "UP" and "DOWN" simultaneously and repeat until the selected LED section lights up.



Press the PROG button on the remote control shortly, the LED will turn on and off.

The LED has been programmed correctly.



35

**No LED section turns on:**

Press the "UP" button.



**Variant 1:** One or more LED sections are switched on. This means that seeding points are saved for the LED sections that are lit.

**Continue with step 34.**

**Variant 2:** No LED sections were switched on. Check the condition of the wiring and all connections to the LED strip.

**Continue with step 36.**

36

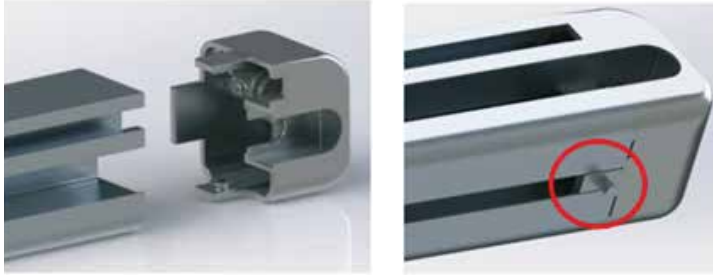
Restore factory settings. Turn on the power for 10 to 15 seconds. Turn the power off for 4s. Turn on the power, all sections will light up for a moment and then go out. Press the PROG button on the remote control until all LED sections turn on and then off twice.

## Tips and advice during installation

Observations	Cause	Solution
No LED section lighted up during setup	Incorrect controller configuration	Perform all steps in the instructions again
	Low battery in the remote control	Battery change
	Incorrect connection of the supply lines	Wiring Inspection Item 3
One/two/three of the four sections does not light up	Incorrect connection of the LED wires to the driver	Wiring Inspection Item 3

37

Install the guide rail plug, make sure that the wires are not tangled and run in a straight line. Fasten the pressing screw M6x20 DIN 914.



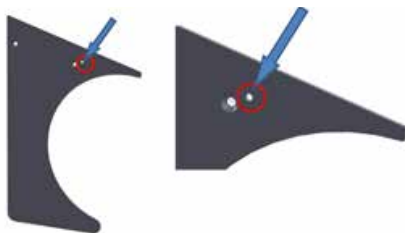
38

Mount the roof over the box, screw the side covers to the roof with screws. Then screw the roof to the wall using fasteners.



39

Remember to tighten the lock after closing the cover.



40

After mounting the product remove the red spring tension straps.  
Remove front slat cover with sticker.



**Caution spring tension!**  
**Risk of injury!**

41

Use scissors to cut the strips gently. After cut the strips remove it from front slat.

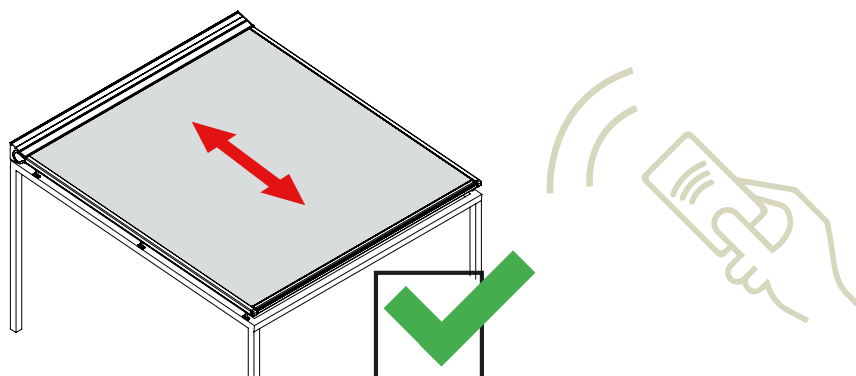
Reassemble and screw together again the front slat with cover.

Remove the sticker from front slat cover.



42

After the assembly is complete make a trial run.



43

Check the tension of the sheating, check the guide rails for tension and proper working (no falling off the guide wheels), check if the locks of the covering are guided in the Inlay.

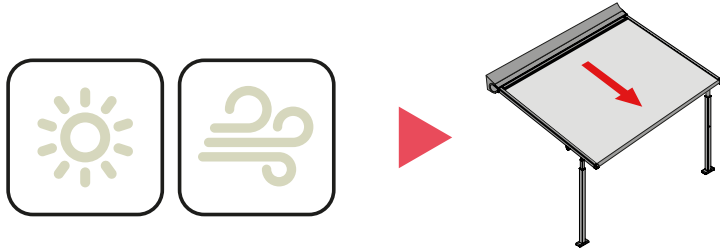


## Basic notes on assembly and installation:

- Assembly and installation should be done by trained personnel.
- **IMPORTANT SAFETY CONSIDERATIONS:** For proper installation of the awning, the instructions for assembly and installation must be carefully followed step by step.  
Keep plastic bags or any other mounting pieces out of children's reach.
- Do not alter the design or the configuration of the system, nor modify the installation method without consulting the manufacturer or an authorised representative.
- If the awning is to be installed in windy areas where there are frequent blackouts, back-up generator is recommended.
- When motorised units are inspected or repaired, always disconnect them from the power supply.

# Information to the user

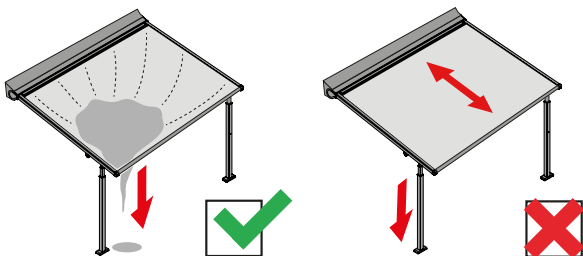
Expanded cover in the product provides protection from the sun and light wind.



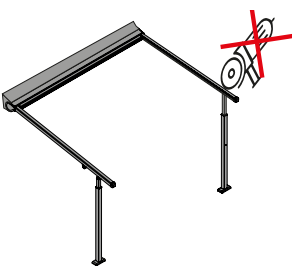
The product should be rolled up in case of: heavy rain, snow, hail, strong wind.



In case of adjustable leg: You cannot roll or unroll the cover when the leg is being lowered. The drop leg option is only used to flush any standingwater on the sheating, after the water is flushed you must raise the leg to the initial setting.

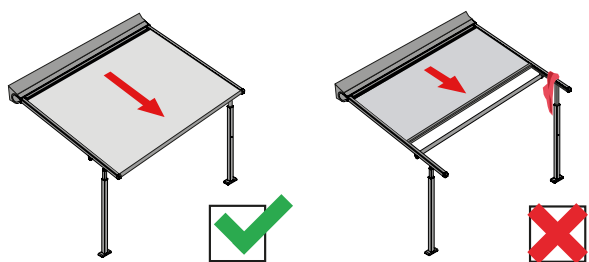


Do not modify the structure without consulting the manufacturer, the element properly installed is made in accordance with the instructions.

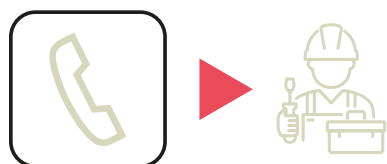




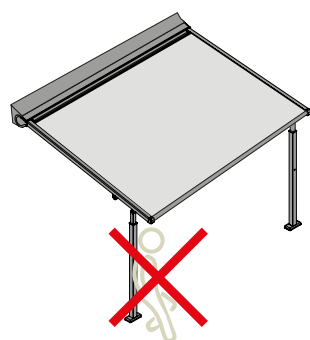
During opening or closing the product, ensure that there are no obstacles in the way.



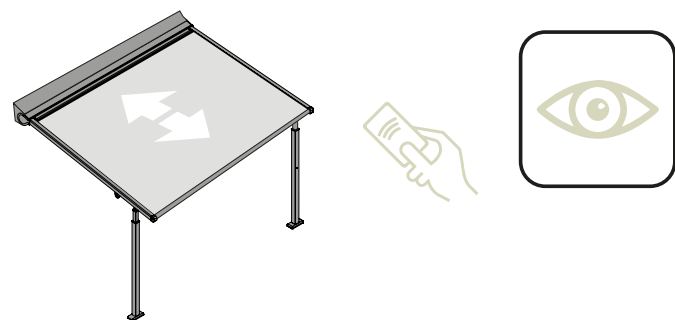
Any failure of the product to function properly during use, if any repair is required, please contact your installer.



Do not lean on the legs or attach anything to the product.



Steer the product only when you have it in your field of vision.

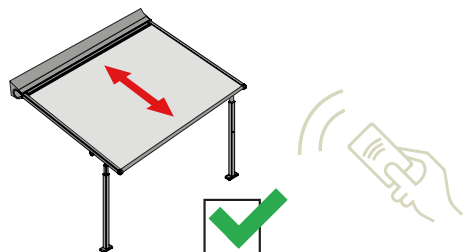


Remember to have an annual service performed by a professional installer.

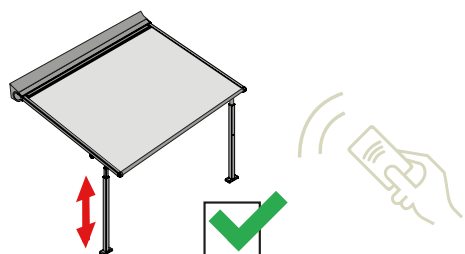


# Product check-up

Make a full run-through of the product, check that the product moves out and retracts properly. Check that the sheathing is properly tensioned.



Do a full leg movement, check that the product exits and retracts correctly.



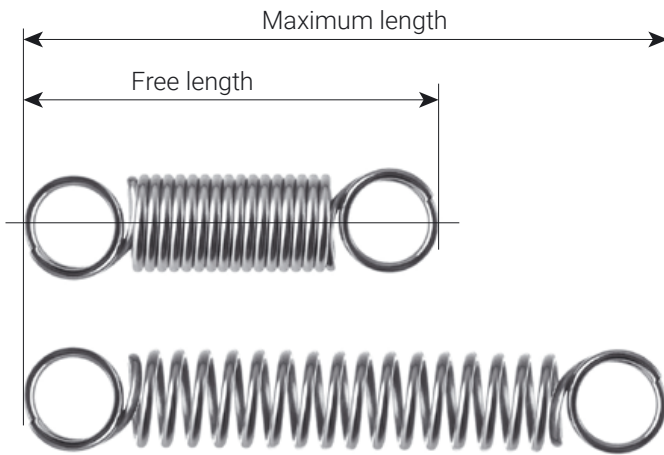
Check the operation of the LEDs with the remote control.



Remove the front slat flap and check that springs and components are in the right place.



Check if the springs have the correct length.



Kind of spring	Free spring length (cm)	Maximum length (cm)
Long	50	80
Short	35	50

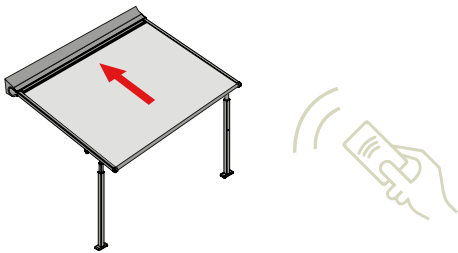
Check for loose connecting elements.



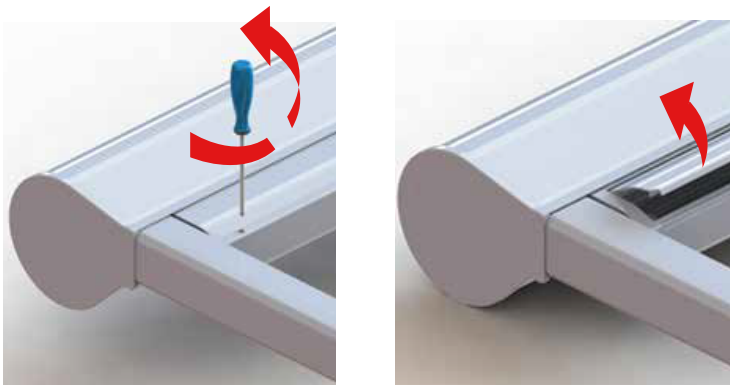
To properly tension the cables on your Blokhuis product, follow the step-by-step instructions.

Do not perform the operation by yourself and observe the safety precautions. Assembly parts and tools must be kept out of reach of children or persons not involved in the assembly.

Roll up the fabric if the product is extended.



Unscrew the screws in the front slat then remove the cover and put it in a safe place.



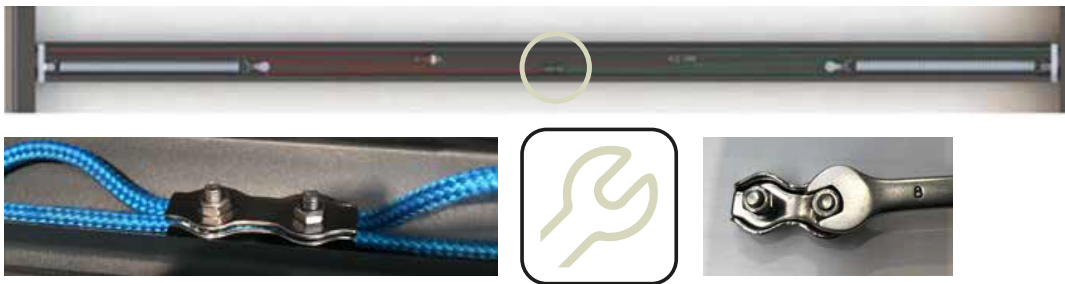
Before tensioning the tripwire, check under the cover the position of the components and the course of the tripwire if it is correct.



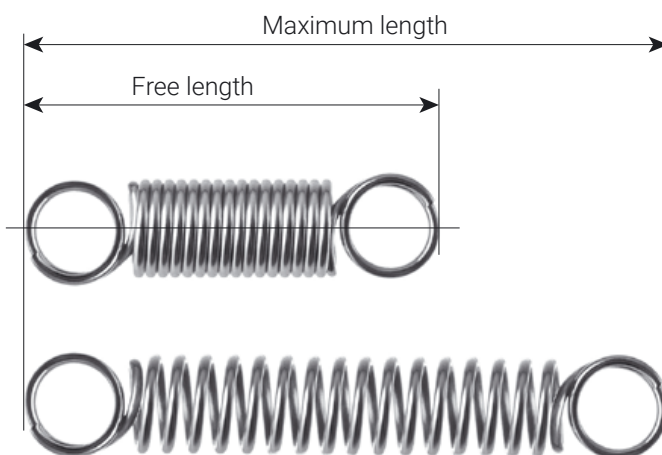
To tighten the cables, use a spanner to unscrew the nuts on the clamp. The correct tension of the wire is achieved when the spring does not exceed the maximum length, and the fabric is correctly positioned during operation.

**Caution!** There are two lengths of the springs.

**Caution!** Do not perform the operation by yourself, one person tightens the cable and then another person tightens the nuts firmly while the proper tension.

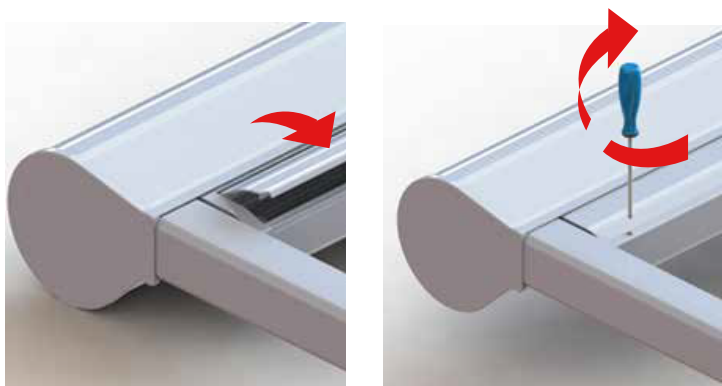


Check if the springs have the correct length.

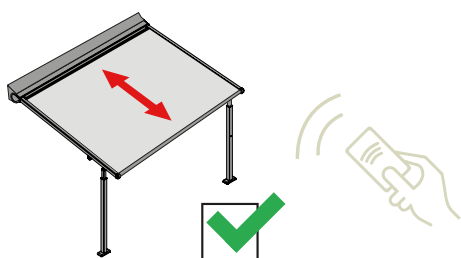


Kind of spring	Free spring length (cm)	Maximum length (cm)
Long	50	80
Short	35	50

If the cables are correctly tensioned, install and tighten the flap.



Make a test run to check that the product is working correctly.



**IMPORTANT SAFETY INSTRUCTIONS.** The system has powerful springs inside it. In the event of poor installation, these may cause the awning to open sharply. If any irregularities are observed during opening and/or closing, call a professional installer. To avoid possible damage, do not allow children to play with the awning.

It is very important to follow these installation and operating instructions exactly.  
We cannot accept any responsibility for problems arising out of a failure to follow  
the installation and operating instructions.

If you would like more information and/or you are having problems, please contact  
the dealer where you bought your Luxaflex® product.

Simply  
brighter  
living



All rights reserved. Unauthorised copying is prohibited. Technical data subject to change without notice.  
No rights can be derived from copy, text pertaining to illustrations or samples. Subject to changes in  
materials, parts, compositions, designs, versions, colours etc., even without notice.  
® Registered trademark. A HunterDouglas® product. © Copyright HunterDouglas® 2025.